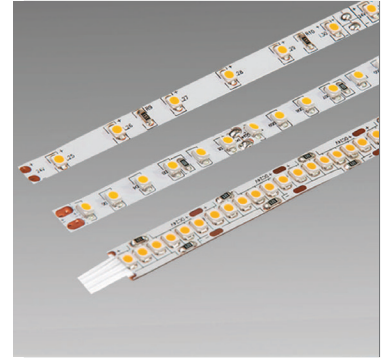


TapeBasic-LED

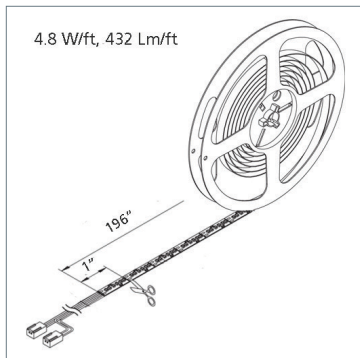
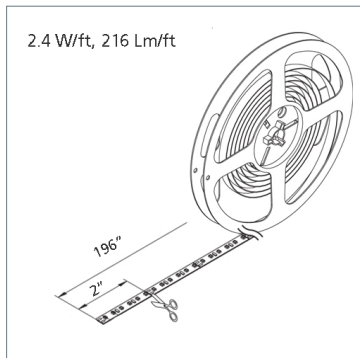
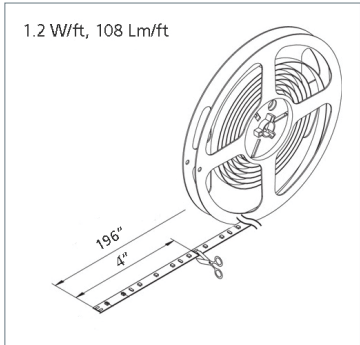
NEW


Customizable LED Lights at an Affordable Price

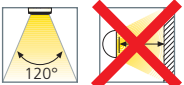
The TapeBasic-LED is optimal for projects with custom requirements. This product is available in multiple color temperatures and Lumen outputs, and can be ordered pre-cut, soldered and in an extrusion.

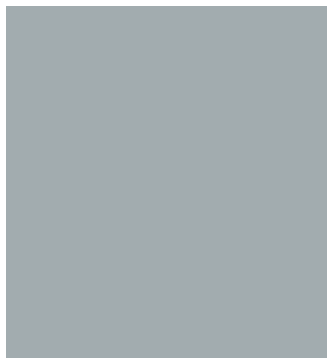
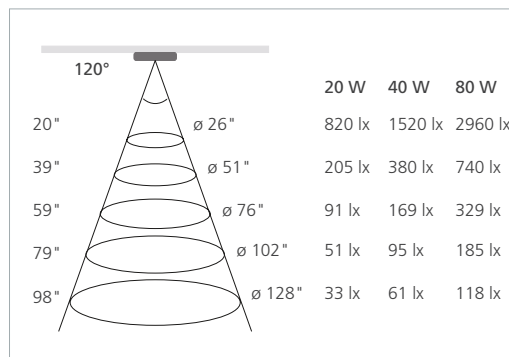
Product-Features

- Self adhering, flexible LED strip
- Stocked in 196" (5m) rolls
- Can be special ordered in pre-cut lengths with soldered power cord
- Can be ordered pre-assembled in an extrusion
- Available in three densities: 300 LEDs/roll (20 W), 600 LEDs/per roll (40 W) and 1200 LEDs/roll (80 W)
- Stocked in 2700 K, 3000 K, 4000 K, 5000 K and 6500 K
- Available from 2700 K to 6500 K
- Finish: white tape with exposed LEDs
- 35,000 hours useable life
- Good CRI > 80
- Efficacy ≥ 90 lm/W
- To be used with 24 Vdc Constant Voltage Driver



*Note: TapeBasic 1200 max strip length of 98 7/16" if cut





What you'll need to buy

Light Fixtures

Description	Watt/Roll	Lumens	Code No. 3000 K	Code No. 4000 K
300	20 W	108 Lm/ft.	TAPE/B3/196/3000	TAPE/B3/196/4000
600	40 W	216 Lm/ft.	TAPE/B6/196/3000	TAPE/B6/196/4000
1200	80 W	432 Lm/ft.	TAPE/B12/196/3000	TAPE/B12/196/4000

*Note: Also stocked in 2700 K, 5000 K and 6500 K

Cables and Connectors

Description	Code No.
79" Power Cord	TAPE/B/PC79/N8
79" Power Cord, TapeBasic 1200	TAPE/B12/PC98/N
39" Power Cord, TapeBasic 1200	TAPE/B12/PC39/N
Connecting Cable 2"	TAPE/B/CC2/N8
Connecting Cable 6"	TAPE/B/CC6/N8
Connecting Cable 12"	TAPE/B/CC12/N8
Connecting Cable 2", TapeBasic 1200	TAPE/B12/CC2/N
Connecting Cable 8", TapeBasic 1200	TAPE/B12/CC8/N
Connecting Cable 98", TapeBasic 1200	TAPE/B12/CC98/N
Power Cord Extension 39"	KB12LEDCC39
Power Cord Extension 98"	KB12LEDCC98
Direct Connector	TAPE/B/DC/N8
Direct Connector, TapeBasic 1200	TAPE/B12/DC/N
Terminal Block	STICKTB

Optional Accessories (see page 57-59)

Description	Code No.
Dimmer	STICKPSDIM/S
Dimmer Controller	DIMCONTROL/S
Dimming Distributor Cable	STICKDIM/YCABLE
Low Voltage Switch	IRSWITCH
Remote Control Dimmer	RCPSDIM
Rocker Switch	SWITCH/PS24

Extrusions

Description	Code No.
Metal Extrusion, 78"	TAPE/B/EXT1/78
Clear Lens	TAPE/B/EXT1/LC/78
Frosted Lens	TAPE/B/EXT1/LF/78

LED Constant Voltage Drivers (see page 56)

Description	Code No.
6 Watt	PS24V/06/S
30 Watt	PS24V/30/S
75 Watt	PS24V/75/S
96 Watt	PS24V/96/DIM/S