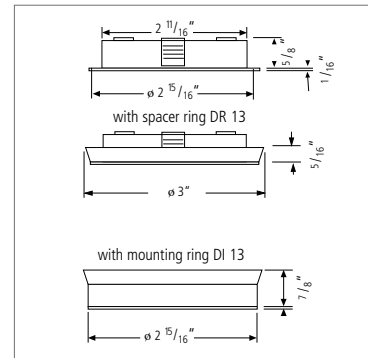


ARF-LED



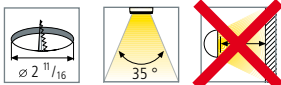
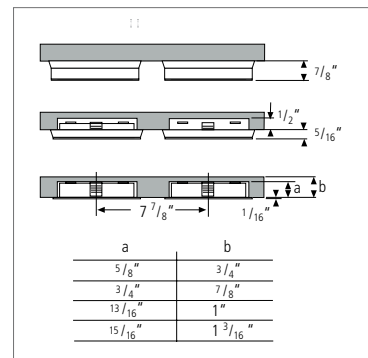
Low-Profile Recessed Or Surface Mounted LED Spotlight

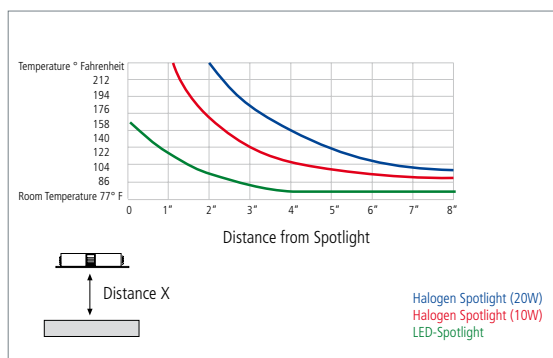
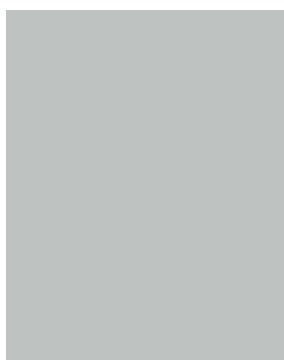
This friction fit spotlight is designed for installation in kitchen cabinets, displays and furniture. It uses the latest generation Power LEDs which offer an equivalent light output to a 20 W halogen spotlight at only a fraction of the energy consumption (3 W). Virtually no heat emission and no ultraviolet radiation guarantee that your products won't be damaged. 50,000 hrs. of usable life make lamp changes a thing of the past.



Product-Features

- Recess depth only $\frac{5}{8}$ " or $\frac{1}{2}$ " (with spacer ring DR13)
- When surface mounted, overall height $\frac{7}{8}$ "
- Friction fit
- Only 3 Watt power consumption (3 x 1 Watt LEDs)
- Available with cool white or warm white LEDs
- Finishes: white, black, chrome, stainless steel and gold
- Attached 69" connecting cable with plug-in connector
- To be used with 350 mA constant current DC converter
- Special accessories available:
 - DR13-Spacer ring to reduce recessed depth
 - DI13-Surface mount ring
- Additional LED connecting cables are available in 36" and 72"
- Dimmable with available accessories





What you'll need to buy

Spotlights

ARF-LED

Warm White

Finish	Code No.
White	ARFLED3200WH
Black	ARFLED3200BL
Chrome	ARFLED3200CH
Gold	ARFLED3200GO
Stainless Steel	ARFLED3200SS

Cool White

Finish	Code No.
White	ARFLED5500WH
Black	ARFLED5500BL
Chrome	ARFLED5500CH
Gold	ARFLED5500GO
Stainless Steel	ARFLED5500SS

LED Power Supply (for specs refer to pages 38 – 39)

Description	Code No.
Constant Current Driver 9 Watt	PSLED/A
Constant Current Driver 18 Watt	PSLED/18
Dimmable Constant Current Driver 18 Watt	PSLED/DIM
LED Dimmer Controller	DIMCONTROL

Optional accessories

Surface Mount Rings

Finish	Code No.
White	DI13WH
Black	DI13BL
Chrome	DI13CH
Gold	DI13GO
Stainless Steel	DI13SS

Cables

Description	Code No.
Connecting Cable 36"	LEDCC36
Connecting Cable 72"	LEDCC72