

CBS20



Thermally Optimized Recessed Halogen Spotlight

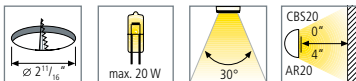
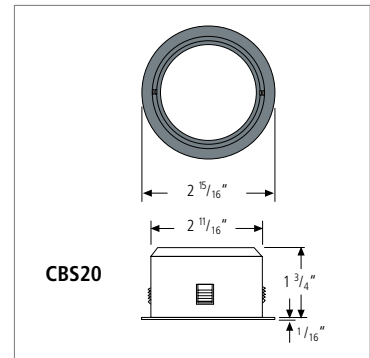
More safety and convenience through thermal optimization. The light can remain switched on even when a door stops directly under the spotlight. This spotlight has international patents. There is nothing else like it.

Product-Features

4,000 hrs. Osram bulb included

CBS20

- For applications where doors are likely to remain directly under a spotlight exposing them to excess heat
- Special glass reflector and additional filtering lenses greatly reduce heat from spotlight onto doors
- Great light output without direct glare
- Overall surface height only $\frac{1}{16}$ "
- Frosted tempered glass lens
- Easy to relamp
- 12 V/20 W bulb included
- Attached 6" connecting cable with NV6 plug
- Available in white, black, chrome and gold
- 1.5" clearance on backside of fixture is necessary





What you'll need to buy

Spotlights

CBS20

Finish	Code No.
White	CBS20WH
Black	CBS20BL
Chrome	CBS20CH
Gold	CBS20GO
Stainless Steel	CBS20SS

Transformers (for specs refer to pages 80 – 82)

Description	Code No.
Premium 60 Watt	UC-60FT
Premium 120 Watt	UK-120TW

Optional accessories

Description	Refer to pages
Dimmers	refer to pages 83 – 84
Connecting cables	refer to page 85
Terminal blocks	refer to page 85