

# HO-LED

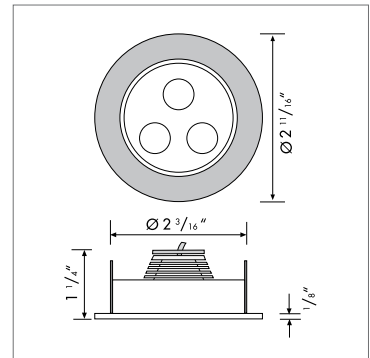


## High Output Swivel And Non-Swivel LED Spotlights

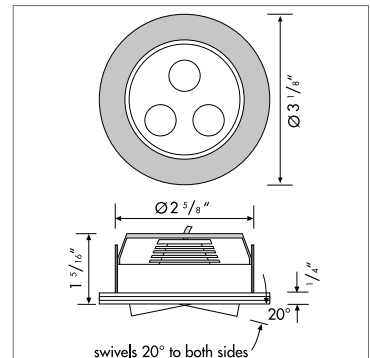
Hera's new swivel and non-swivel HO-LED Spots are ideal for applications where high levels of LED light are desired and minimal installation dimensions are not so important. The spotlights feature integrated 3 x 1 W high power LEDs with full LED optics. HO-LED Spots are perfect for displays, larger showcases and even soffits.

### Product-Features

- High quality, brushed aluminum housing
- Swivel (+/- 20 degrees) and non-swivel version available
- 3 x 1 W high power LEDs with full LED optics
- Available with cool white or warm white LEDs
- Recess depth 1 1/8" non-swivel, 1 1/16" swivel
- Friction fit
- Attached 79" connecting cable with plug-in connector
- To be used with 350 mA constant current DC converter
- Additional LED connecting cables are available in 36" and 72"

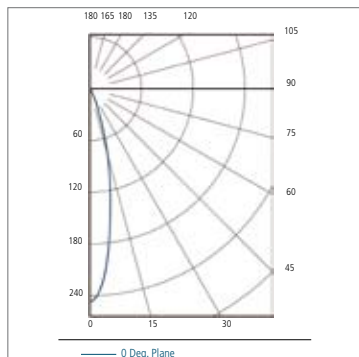


HO-LED 1

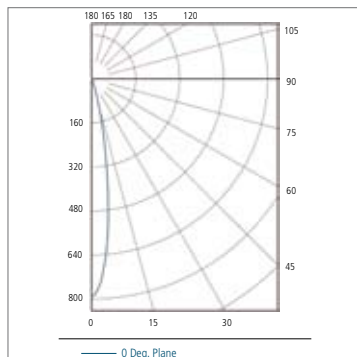


HO-LED 2





HO-LED2/WW



HO-LED1/CW



## What you'll need to buy

### Spotlights

#### HO-LED1

##### Warm White

Finish	Code No.
Stainless Steel	HOLED1WW

##### Cool White

Finish	Code No.
Stainless Steel	HOLED1

#### HO-LED2

##### Warm White

Finish	Code No.
Stainless Steel	HOLED2WW

##### Cool White

Finish	Code No.
Stainless Steel	HOLED2

### LED Power Supply (for specs refer to pages 38 – 39)

Description	Code No.
Constant Current Driver 9 Watt	PSLED/A
Constant Current Driver 18 Watt	PSLED/18
Dimmable Constant Current Driver 18 Watt	PSLED/DIM
LED Dimmer Controller	DIMCONTROL

### Cables and Connectors

Description	Code No.
Connecting Cable 36"	LEDCC36
Connecting Cable 72"	LEDCC72
Terminal Block	TBLED/B