



Furniture, Cabinet and Display Lighting Systems

RC PSDIM



NOW AVAILABLE! Remote Control Dimmer for Constant Voltage LED Lighting.

Hera's brand new RCPSDIM is the latest addition in dimmable LED lighting controls allowing even more flexibility with system design. This dimming system is designed for Hera StickLED and KB12LED lighting. The Receiver simply connects to the power supply and the LED lighting connects to the Receiver terminal block. See Fig. 2. The remote controller allows wireless control of the LED lighting. The system has a built in memory function. When the lighting is switched off/on, the receiver will return to previous dimming level. The wireless control operates on a Radio Frequency of 2.4 GHz to allow the most interference free operation. Depending on actual installation the operating range can be up to 50 feet. Each remote/receiver has its own unique address so there won't be any crosstalk with multiple dimmer systems. There are two quickset buttons on the remote, see Fig. 1. Button 3 will select minimum light of 10% and Button 2 will select maximum brightness. There is also a rotary control to dial in the desired light level within the system limits of 0 – 100%. It's ideal for applications that require setting a custom light level with low energy consumption. The output terminal block contains twelve connections and will supply up to 30 Watts of LED lighting.

Product Features

- Used for wireless dimming control of Hera Constant Voltage LED lighting
- Radio Frequency: 2,4GHz.
- Remote distance up to 50 feet
- Operating ambient temperature range: 0°C~ 35°C
- Each remote has a unique address
- Remote requires 2 x AAA batteries (not included)
- Soft Start for maximum LED life
- Last setting memory
- Attached terminal block for 12 x LED connections
- Additional terminal blocks available

Hand Held Remote Control

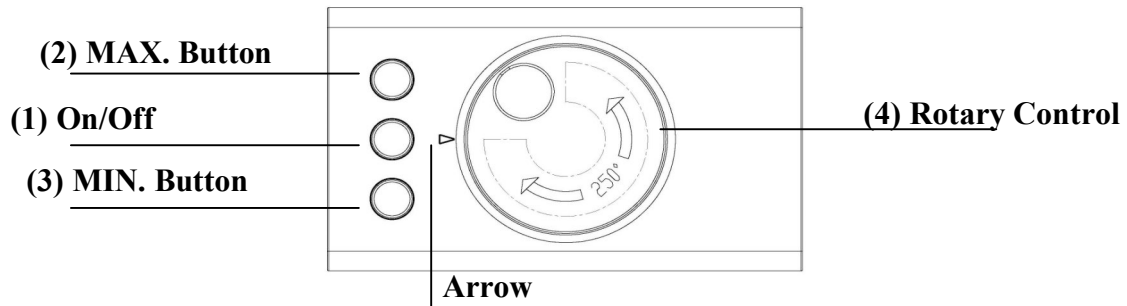


Fig.1

- 1 - On/Off Button** Turn on or Turn off the LED lighting. Controller has last setting memory function. LEDs will turn on to the previous light level.
- 2 - MAX. Button** The LED lighting will increase to maximum brightness level (100%).
- 3 - MIN. Button** The LED lighting will decrease to minimum brightness level (10%).
- 4 - Rotary Control** The LED dimming level can be manually set with the rotary control. The arrow indicates the control position relative to dimming level.

Installation:

- 1. Connect Dimming Module (Receiver) into lighting circuit as shown. Do not connect power supply to 120VAC until all low voltage connections have been made.

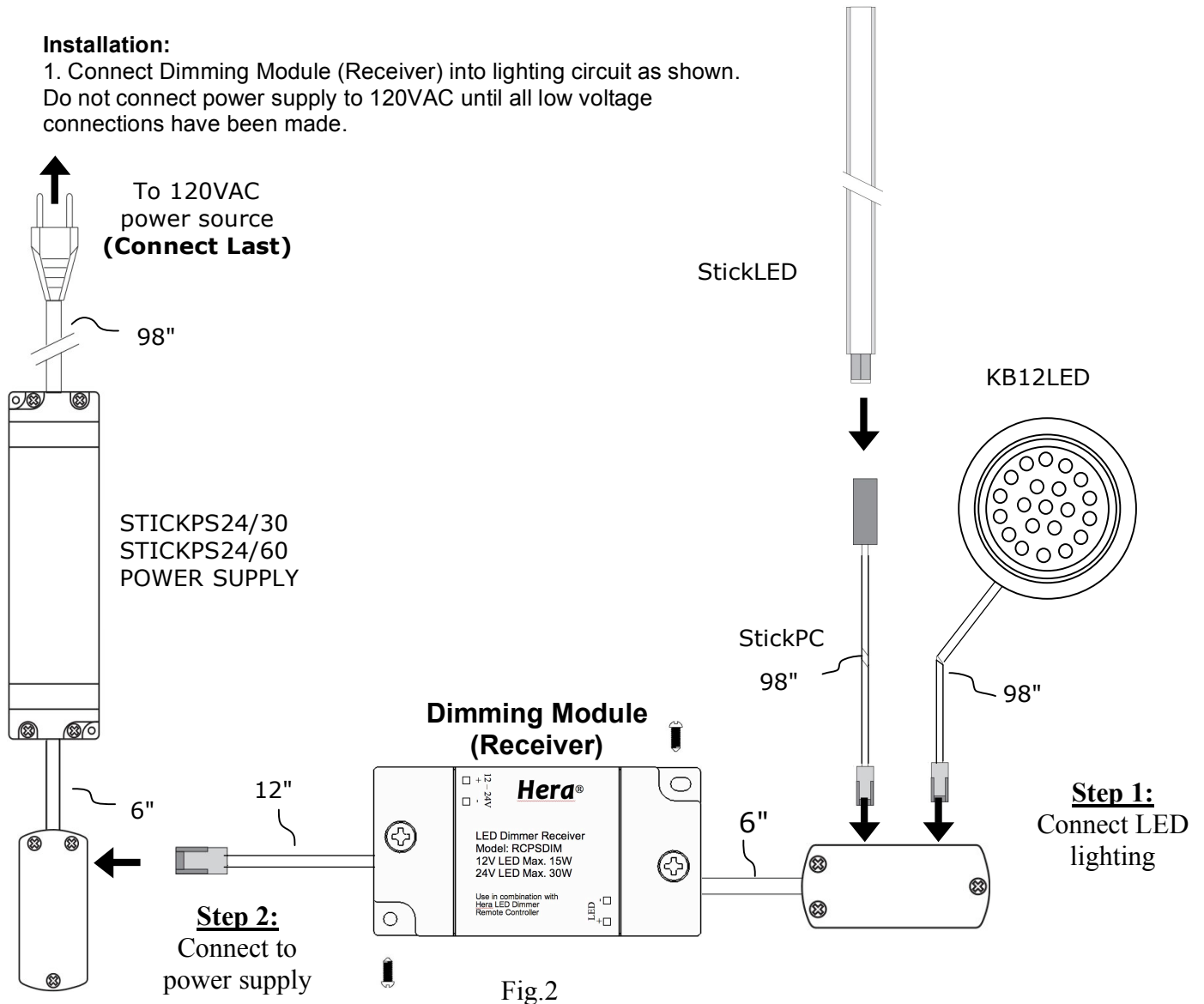


Fig.2