

ArcTech



Light Years Ahead In Simplicity And Style

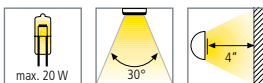
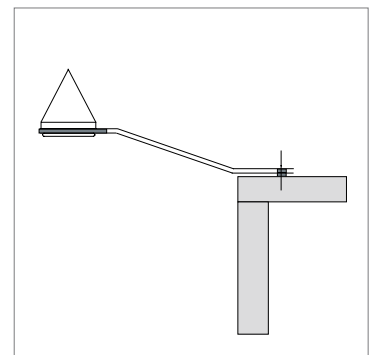
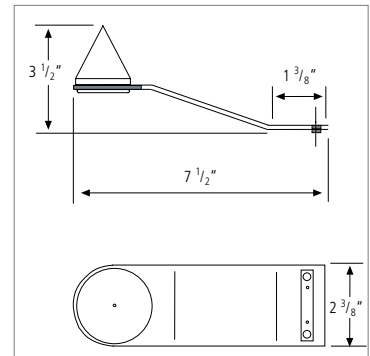
Graceful stainless steel arc. "Effortless" installation. Ready to connect with Hera plug-in system. The new ArcTech luminaire is poetry in motion over bookshelves, cabinets and entertainment areas.

Product-Features

4,000 hrs. Osram bulb included

AL20

- High quality housing of brushed stainless steel
- Integrated halogen spot MH14, 12 V/20 W
- Convenient integration into Hera halogen systems
- Decorative cone and trim ring available in stainless steel
- Can be used with 10,000 hrs. Xenon bi-pin bulb (special order)
- To be used with Hera electronic transformers
- Incl. 79" connecting cable





What you'll need to buy

Spotlights

ArcTech

Finish	Code No.
Stainless Steel	AL20SS

Transformers (for specs refer to pages 72 – 74)

Description	Code No.
Premium 60 Watt	UC-60FT
Premium 120 Watt	UK-120TW

Optional accessories

Description	Refer to pages
Dimmers	75 – 76
Connecting Cables	77
Terminal Blocks	77