

Eco-LED

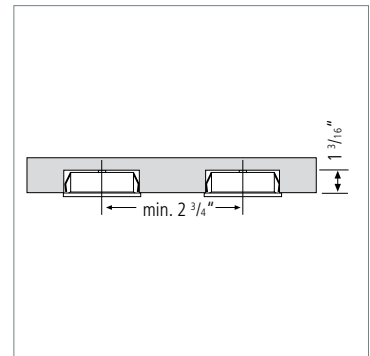
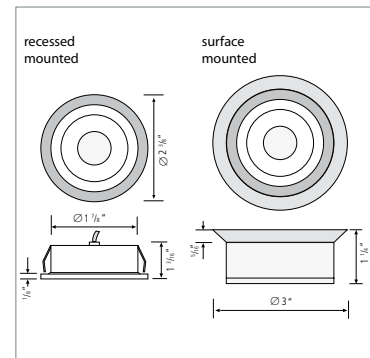


Economically Recessed Or Surface Mounted LED Spotlight

Eco-LED is Hera's economically priced LED solution. The spotlights feature 1 W high power LEDs with a useable lifetime of 50,000 hrs. and high light output. Eco-LED is ideal for undercabinet, furniture or display applications.

Product-Features

- Recess depth $1 \frac{3}{16}$ " , surface mount height $1 \frac{1}{4}$ "
- Only 1 Watt power consumption
- Available with cool white or warm white LEDs
- Housing available in white, black and stainless steel
- Attached 79" long connecting cable with plug-in connector
- Spotlights come in sets of three, complete with 350 mA constant current DC converter
- Replacement / extra power supplies available
- Additional LED connecting cables are available in 20" , 39" and 79"





What you'll need to buy

Spotlights

The Eco-LED spotlights come in complete kits of 3 light fixtures, including driver, connecting cables and all hardware.

Warm White

Finish	Code No.
White	SET2LEDWH/WW
Stainless Steel	SET2LEDSS/WW
Black	SET2LEDBL/WW

Cool White

Finish	Code No.
White	SET2LEDWH/CW
Stainless Steel	SET2LEDSS/CW
Black	SET2LEDBL/CW