

# Eye-LED

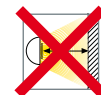
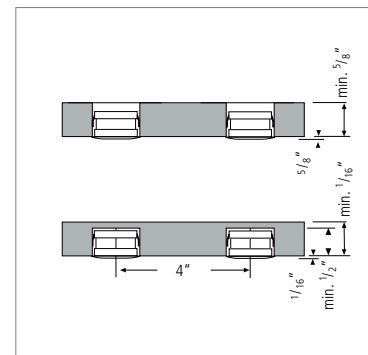
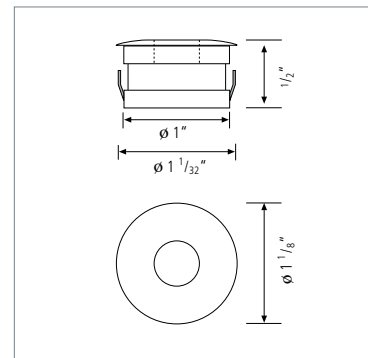


## Miniature LED Spotlight

Eye-LED is the perfect lighting solution for all applications where minimal installation dimensions are essential. It fits into a 1" diameter x 1/2" depth installation opening. Eye-LED features a 1 W high-power LED.

## Product-Features

- Extremely small dimensions: recess depth 1/2", recess diameter 1"
- 1 W high-power LED
- Ready to connect to 350 mA constant current power supply, 51" connecting cable with plug-in connector attached
- Available with cool white or warm white LEDs
- Finish: stainless steel and brushed aluminum
- Additional LED connecting cables are available in 36" and 72"
- Dimmable with available accessories





## What you'll need to buy

### Spotlights

#### Eye-LED

##### Warm White

Finish	Code No.
Stainless Steel	EYELEDSS/WW
Aluminum	EYELEDA/WW

##### Cool White

Finish	Code No.
Stainless Steel	EYELEDSS/CW
Aluminum	EYELEDA/CW

### LED Power Supply (for specs refer to pages 38 – 39)

Description	Code No.
Constant Current Driver 9 Watt	PSLED/A
Constant Current Driver 18 Watt	PSLED/18
Dimmable Constant Current Driver 18 Watt	PSLED/DIM
LED Dimmer Controller	DIMCONTROL

### Cables and Connectors

Description	Code No.
Connecting Cable 36"	LEDCC36
Connecting Cable 72"	LEDCC72
Terminal Block	TBLED/B