

Flex-LED



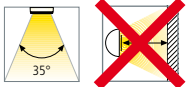
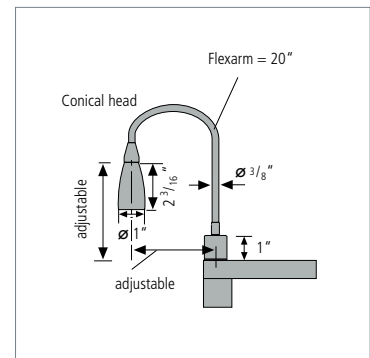
Flex-LED

Flexarm LED Spotlight

Ideal for display applications or as a reading light in headboards. The flexible arm allows an exact direction of the light. The 1 W high-power LED provides a good light output without any heat or UV radiation, allowing you to directly illuminate even the most sensitive products.

Product-Features

- 20" long Flexarm
- 1 W high-power LED
- Ready to connect to 350 mA constant current power supply, 51" connecting cable with plug-in connector attached
- Available with cool white or warm white LED
- Finish: matte chrome
- Special order colors and sizes are available for minimum quantities
- Four different versions
- Additional LED connecting cables are available in 36" and 72"
- Dimmable with available accessories





Flex-LED Atlantis



Flex-LED Edenroc



Flex-LED Side Mount

What you'll need to buy

Spotlights

Flex-LED

Warm White

Finish	Code No.
Matte Chrome	FLEXLED/WW/MCH

Flex-LED Atlantis

Finish	Code No.
Matte Chrome	ATLANTIS/WW/MCH

FLEX-LED Edenroc

Finish	Code No.
Matte Chrome	EDENROC/WW/MCH

FLEX-LED SIDE MOUNT - left

Finish	Code No.
Matte Chrome	SIDE/L/S/WW

FLEX-LED SIDE MOUNT - right

Finish	Code No.
Matte Chrome	SIDE/R/S/WW

Cool White

Finish	Code No.
Matte Chrome	FLEXLED/CW/MCH

Finish	Code No.
Matte Chrome	ATLANTIS/CW/MCH

Finish	Code No.
Matte Chrome	EDENROC/CW/MCH

Finish	Code No.
Matte Chrome	SIDE/L/S/CW

Finish	Code No.
Matte Chrome	SIDE/R/S/CW

LED Power Supply (for specs refer to pages 38 – 39)

Description	Code No.
Constant Current Driver 9 Watt	PSLED/A
Constant Current Driver 18 Watt	PSLED/18
Dimmable Constant Current Driver 18 Watt	PSLED/DIM
LED Dimmer Controller	DIMCONTROL
Constant Current Driver 9 Watt switch compatible, to be used with FlexLED Edenroc or SIDE MOUNT	PSLEDA/Line