

# LumiMax-LED

**NEW**

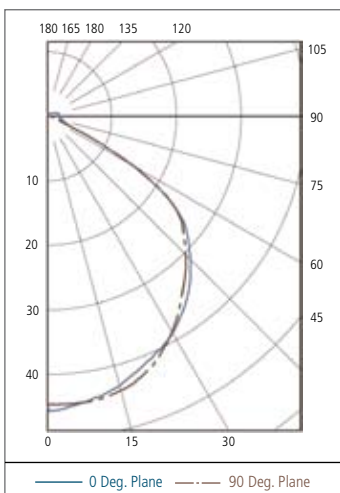
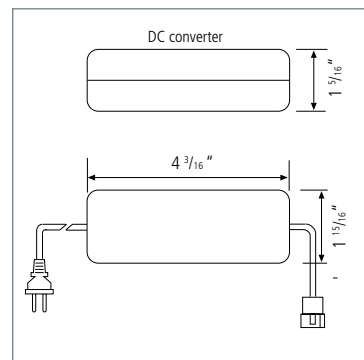
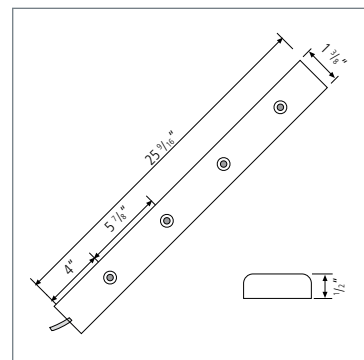


## High Output Linear LED Lighting With 3 W Diodes

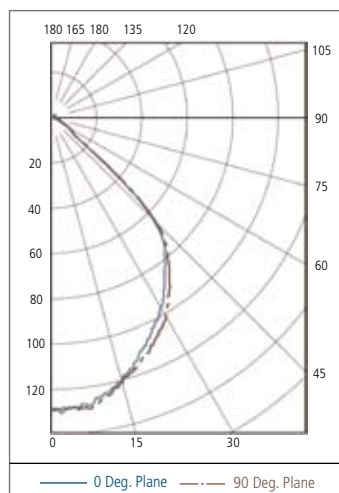
Hera's new LumiMax-LED uses the latest 3 W high output diodes which provide an extremely high and even light output. This linear LED light fixture is available in three different lengths and perfect for installations in showcases, displays or under cabinets.

### Product-Features

- Very attractive frosted plexiglass housing
- Light fixture can be recessed (flush with board) or surface mounted
- Extremely small dimensions: width:  $1 \frac{7}{16}''$ , height:  $\frac{1}{2}''$
- Available in three different sizes:  $13 \frac{3}{4}''$  (2 x 3 W LED),  $25 \frac{1}{2}''$  (4 x 3 W LED),  $37 \frac{7}{16}''$  (6 x 3 W LED)
- Available with cool white (5,500 K) and warm white (3,200 K) LEDs
- Extremely high, even light output
- One constant current DC converter included per strip



LumiMax13/WW



LumiMax13/CW

