

Stick-LED

NEW

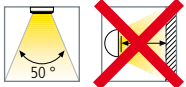
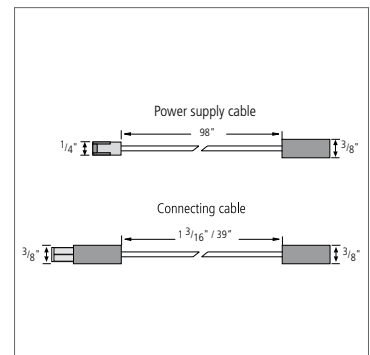
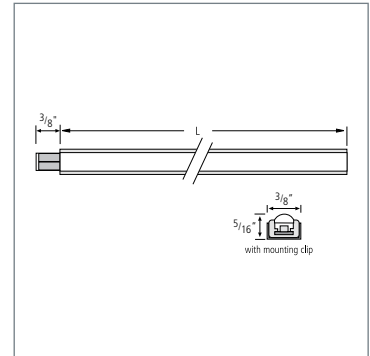


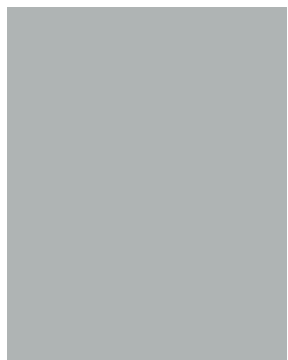
Miniature Linear LED Lighting With Integrated Connecting System

Stick-LED is Hera's latest linear LED lighting solutions. These ultra-compact strips of LED lighting feature a very high and even light output and an integrated connecting system. Up to 8' of Stick-LEDs can be connected per run. Stick-LEDs are perfect for furniture, cabinets and displays. They are also the ideal lighting solution for cooler and freezer cases.

Product-Features

- Aluminum and plexiglas housing
- Extremely small dimensions: width: $\frac{3}{8}$ " , height: $\frac{5}{16}$ "
- Light fixture can be recessed (flush with board) or surface mounted
- Available in two different sizes: 8" (1.6 W) and 12" (2.4 W)
- Available with cool white and warm white LEDs, as well as special color for meat cases
- Extremely high, even light output
- 30,000 hours useable life
- Up to 8' of Stick-LEDs can be connected per run
- LED connecting cables are available in $1\frac{3}{16}$ " , 12" and 39" lengths
- Power supply cable 98" to be ordered separately
- To be used with 24 V DC LED driver





What you'll need to buy

Light Fixtures

Stick-LED

Warm White

Length	Code No.
8"	STICKLED8WW
12"	STICKLED12WW

Cool White

Length	Code No.
8"	STICKLED8CW
12"	STICKLED12CW

LED Power Supply

Description	Code No.
Constant Voltage Driver 25 Watt	STICKPS24/25
Constant Voltage Driver 30 Watt	STICKPS24/30
Constant Voltage Driver 60 Watt	STICKPS24/60

Cables and Connectors

Description	Code No.
Power Cord	STICKPC
Connecting cable 1"	STICKCC1
Connecting cable 12"	STICKCC12
Connecting cable 39"	STICKCC39
90° Connector left	STICK90DC/L
90° Connector right	STICK90DC/R

Optional accessories

Description	Code No.
Dimmer	STICKPSDIM
Dimmer controller	DIMCONTROL
Receptacle - wood	STICKRCW
Receptacle - metal	STICKRCM