

TwinStick-LED

NEW

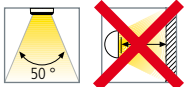
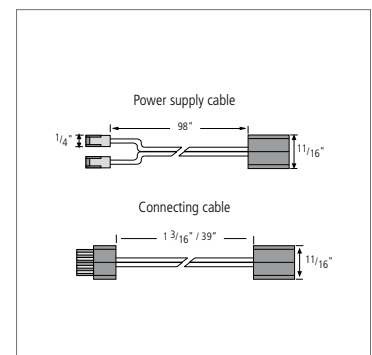
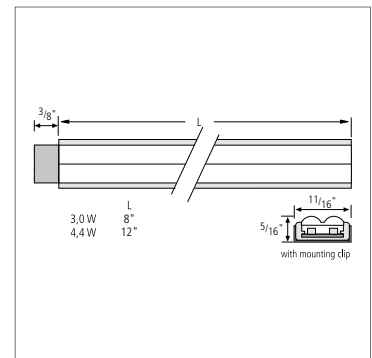


Extremely Compact Linear LED Lighting With Integrated Connecting System

Hera's brand new TwinStick-LED is the latest linear LED lighting solution. With an extremely high light output, similar to T5 fluorescent light fixtures, these compact strips are ideal for commercial applications such as store fixtures or displays. Low energy consumption and virtually no maintenance (life time 30,000 hours) are additional benefits. TwinStick-LEDs feature an integrated connecting system. Up to 8' of TwinStick-LEDs can be connected per run.

Product-Features

- Aluminum and plexiglas housing
- Extremely small dimensions: width: $1\frac{1}{16}$ " , height: $\frac{5}{16}$ "
- Light fixture can be recessed (flush with board) or surface mounted
- Available in two different sizes: 8" (3.0 W) and 12" (4.4 W)
- Available with cool white and warm white LEDs, as well as special color for meat cases
- Extremely high, even light output
- 30,000 hours useable life
- Up to 8' of Twinstick-LEDs can be connected per run
- LED connecting cables are available in $1\frac{3}{16}$ " , 12" and 39" lengths
- Power supply cable 98" to be ordered separately
- To be used with 24 V DC LED driver





What you'll need to buy

Light Fixtures

TwinStick-LED

Warm White

Length	Code No.
8"	TWINSTICKLED8WW
12"	TWINSTICKLED12WW

Cool White

Length	Code No.
8"	TWINSTICKLED8CW
12"	TWINSTICKLED12CW

LED Power Supply

Description	Code No.
Constant Voltage Driver 25 Watt	STICKPS24/25
Constant Voltage Driver 30 Watt	STICKPS24/30
Constant Voltage Driver 60 Watt	STICKPS24/60

Cables and Connectors

Description	Code No.
Power Cord	TWINSTICKPC
Connecting cable 1"	TWINSTICKCC1
Connecting cable 12"	TWINSTICKCC12
Connecting cable 39"	TWINSTICKCC39
90° Connector left	TWINSTICK90DC/L
90° Connector right	TWINSTICK90DC/R

Optional accessories

Description	Code No.
Dimmer	STICKPSDIM
Dimmer controller	DIMCONTROL