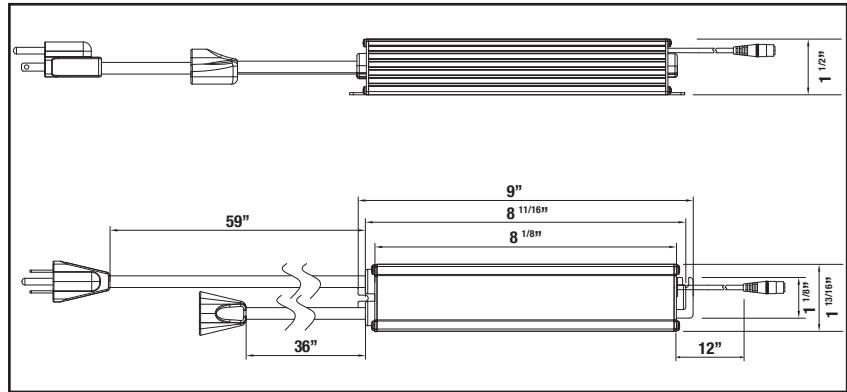


daisyTM Driver, 96 W

NEW

Constant Voltage 24 V



24 VDC Electronic daisy Driver

Dimmable Constant voltage electronic driver for up to 96 W of LEDs. Now with integrated connector to allow for easy daisy-chaining. Interconnect up to a max of 6 drivers.

Product-Features

- Input: 100 - 120 VAC, 50/60 HZ, 1.3 A
- Output: 24 VDC, 4.0 A max. SELV/UL8750 Class 2, CAN/CSA C22.2 No. 250.13
- Load: 1 - 96 W, 24 VDC LED
- Power Factor: $\geq 0.9 \lambda$
- Ambient operating temperature: $-20^{\circ} \text{C} \sim 45^{\circ} \text{C}$
- Max case temperature: 55°C
- Built in dimming mode: 0 - 10 VDC compatible
- Dimming range: 0 - 100%
- Open circuit, short circuit, over load and over temperature protection
- Auto restart after fault removal
- Standby mode power consumption $\leq 0.5 \text{ W @ 120 VAC}$
- Soft Start for maximum LED life
- 5.5 mm x 2.1 mm barrel jack output socket on 12" cord
- Additional output cables, splitters and terminal blocks available
- 59" plug-in grounded power cord
- 36" cable with grounded plug socket allows connection of additional 3-pin drivers
- Up to 6 drivers maximum interconnected

Part Numbers

Description	Code No.
96 Watt Daisy Driver	PS24V/96/DIM/S/D
24 V Switch Cable - Molex Plug	PS24V/SWITCH
24 V Switch Cable - Barrel Plug	PS24V/SWITCH/DC
24 V Splitter - 2 Way	PS24V/YCABLE/S
24 V Splitter - 4 Way	PS24V/4WAY/DC
Terminal Block w/ Barrel Jack	PS24V/TB/DC/S
24 V Connecting Cable	PS24V/CC36/DC
24 V Connecting Cable	PS24V/CC48/DC
24 V Connecting Cable	PS24V/CC96/DC
24 V Connecting Cable	PS24V/CC72/DC