

R55-LED

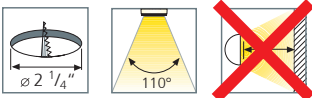
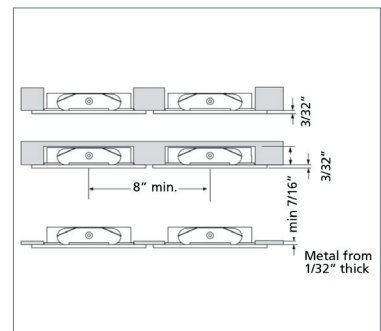
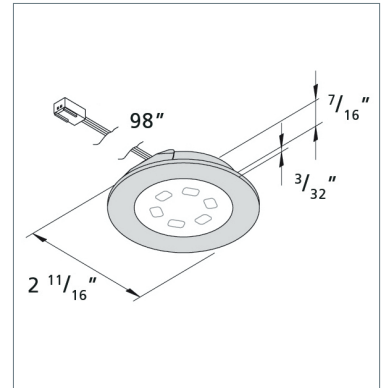


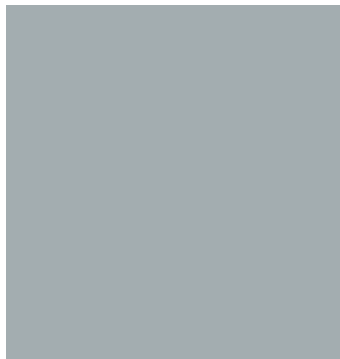
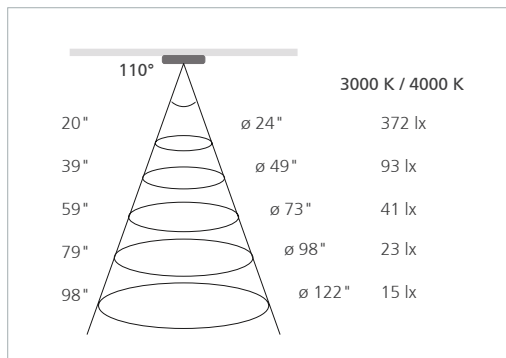
High Quality, Low Profile LED Spotlight

The R55-LED is a great option for projects requiring a shallow mounting hole. This spotlight features the latest LED technology and comes in several different finishes.

Product-Features

- Energy efficient using only 3 W
- Stocked in 3000 K and 4000 K
- Available from 2700 K to 6500 K by special order
- Stainless Steel, Matte Chrome, Black and White finishes available
- 50,000 hours usable life
- Efficacy: 73 lm/W
- Excellent CRI >95
- Attached 98" connecting cable with plug-in connector
- Suitable for mounting in sheet metal
- To be used with 24 Vdc Constant Voltage Driver
- Dimmable with available accessories
- Surface mount ring available separately





What you'll need to buy

Spotlights

3000 K

Finish	Lumens	Code No.
Stainless Steel	220	R55-LED/SS/WW
Matte Chrome	220	R55-LED/CH/WW
Black	220	R55-LED/BL/WW
White	220	R55-LED/WH/WW

4000 K

Finish	Lumens	Code No.
Stainless Steel	220	R55-LED/SS/CW
Matte Chrome	220	R55-LED/CH/CW
Black	220	R55-LED/BL/CW
White	220	R55-LED/WH/CW

LED Constant Voltage Drivers (page 48-52))

Description	Code No.
6 Watt	PS24V/06/S
30 Watt Daisy Driver	PS24V/30/S/D
75 Watt Daisy Driver	PS24V/75/S/D
96 Watt Daisy Driver	PS24V/96/DIM/S/D

Cables and Connectors

Description	Code No.
Power Cable Extension 39"	KB12LEDCC39/H
Power Cable Extension 98"	KB12LEDCC98/H
Terminal Block	PS24V/TB

Optional Accessories (pages 54-55)

Description	Code No.
Surface Mount Ring, Matte Chrome	DIR55/MC
Surface Mount Ring, Stainless Steel	DIR55/SS
Surface Mount Ring, White	DIR55/WH
Dimmer	STICKPSDIM/S
Dimmer Controller	DIMCONTROL/S
Distributor Cable	STICKDIM/YCABLE
Remote Control Dimmer	RCPSDIM
Rocker Switch	PS24V/SWITCH