

# SlimLite XL T5

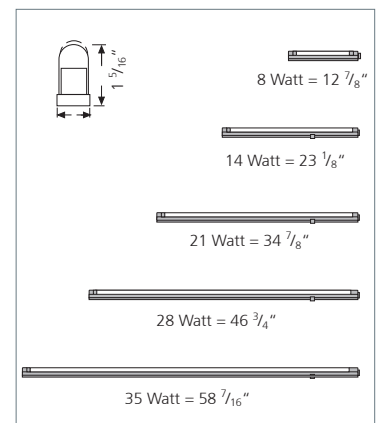


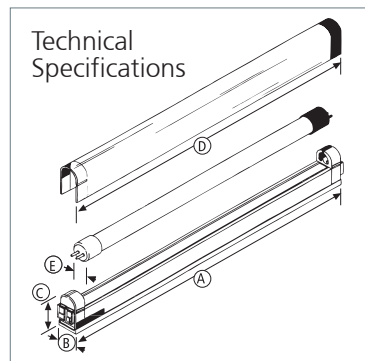
## T5 Fluorescent Light Fixture with Integrated Connecting System and Electronic Ballast

The XL offers all the benefits of SlimLite: It's cooler, brighter and more compact than most other fluorescent fixtures. SlimLite XL features standard T-5 lamps which are available in a variety of light colors. Its optional plexiglas cover makes it an ideal light fixture for food applications.

### Product-Features

- Built-in electronic ballast
- Energy efficient, only 8 W, 14 W, 21 W, 28 W and 35 W
- Uses standard T-5 lamps (to be ordered separately)
- Good CRI > 80
- Plug-in modular system permits easy connection for continuous lighting
- Long bulb life, rated 20,000 hrs.
- Available in five different lengths:  
1' (12  $\frac{7}{8}$ " ), 2' (23  $\frac{1}{8}$ " ), 3' (34  $\frac{7}{8}$ " ),  
4' (46  $\frac{3}{4}$ " ) and 5' (58  $\frac{7}{16}$ " ) width: 29  $\frac{1}{32}$ " , height: 1  $\frac{5}{16}$ "
- Optional plexiglas cover available (to be ordered separately)
- Contemporary white housing
- End of lamp life circuitry to protect ballast





## What you'll need to buy

### SlimLite XL Fluorescent Light Fixture

Also available with bulb and cover. Add BC (Cool White) or WW BC (Warm White) to product code.

	ES12	ES22	ES34	ES46	ES59
Ⓐ fixture length	12 7/8"	23 1/8"	34 7/8"	46 3/4"	58 7/16"
Ⓑ fixture width	29/32"	29/32"	29/32"	29/32"	29/32"
Ⓒ fixture height with diffuser	1 5/16"	1 5/16"	1 5/16"	1 5/16"	1 5/16"
Ⓓ tube length	11 1/4"	21 1/2"	33 1/4"	45 1/8"	57"
Ⓔ tube diameter	T5 (5/8")	T5 (5/8")	T5 (5/8")	T5 (5/8")	T5 (5/8")
watts	8	14	21	28	35
lumens	400	1350	2100	2900	3650
current	136 mA	136 mA	198 mA	253 mA	315 mA
in-rush current	less than 5 AMP				
CRI	> 82	> 82	> 82	> 82	> 82
voltage	AC 120	AC 120	AC 120	AC 120	AC 120
frequency	60 Hz	60 Hz	60 Hz	60 Hz	60 Hz
maximum watts in line	585 Watts	585 Watts	585 Watts	585 Watts	585 Watts

### Accessories

	Description	Code No.
<b>B Power Cord</b>	6' long	SPC/XL/R
	6' with roller switch	SPC/S/XL/R
	6' with straight connector	SPC72/STC
Note: Power cords and connecting cables are also available with 90° or straight connectors and in various lengths		
<b>C Connecting Cables</b>	6" long	SCC6/XL/R
	1' long	SCC12/XL/R
	2' long	SCC24/XL/R
	4' long	SCC48/XL/R
	6' long	SCC72/XL/R
	10' long	SCC120/XL/R
<b>D Direct Connector</b>		SDC/XL/R
<b>F Hardwire Box</b>		SHWC/XL/R
	with switch	SHWC/S/XL/R
<b>G ON/OFF Rocker Switch</b>		SRS/XL/R