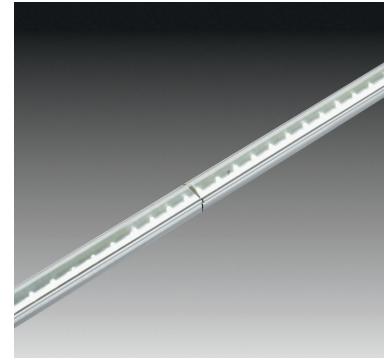


# Stick2-LED

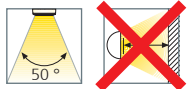
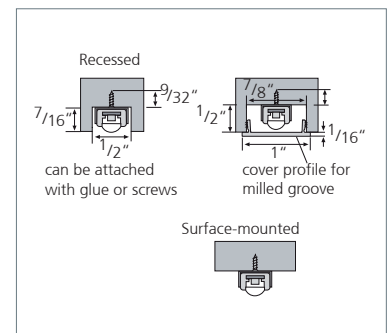
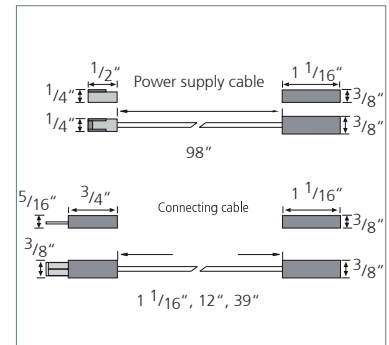
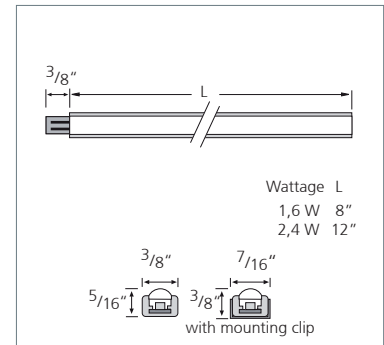


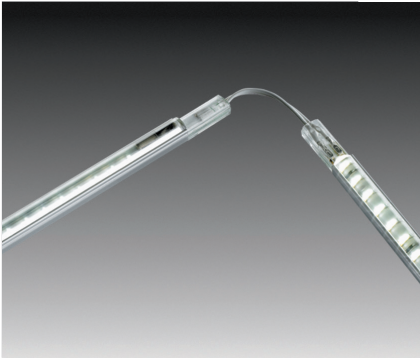
## Miniature Linear LED Light with Integrated Connecting System

These ultra compact strips of LED lighting feature a very high and even light output and an integrated connecting system. The Stick2-LED has an excellent CRI making it the perfect solution for displays where superior color rendering is needed. They are also UL EPH listed (NSF) for use in food applications.

### Product-Features

- Aluminum and plexiglas housing
- Extremely small dimensions: width  $\frac{3}{8}$ " , height  $\frac{5}{16}$ "
- Light fixture can be recessed (flush with board) or surface mounted
- Available in four different sizes: 8" (1.6 W), 12" (2.4 W), 34" (7.2 W) and 46" (9.7 W)
- Stocked in 3000 K and 4100 K
- Available from 2700 K to 6500 K by special order
- 50,000 hours usable life
- Excellent CRI > 90
- Extremely high, even light output
- EPH certified to NSF/ANSI 2 for use in food zones
- Approved for use in closet applications
- LED connecting cables are available in 1  $\frac{3}{16}$ " , 12" and 39" lengths
- Power supply cable 98" to be ordered separately
- To be used with 24 Vdc Constant Voltage Driver
- Magnetic mounting clips available
- 45 degree mounting clips available
- Dimmable with optional accessories





## What you'll need to buy

### Light Fixtures

#### 3000 K

Length	Lumens	Code No.
8"	80	STICK2/8/WW
12"	109	STICK2/12/WW
34"	341	STICK2/34/WW
46"	461	STICK2/46/WW

#### 4100 K

Length	Lumens	Code No.
8"	70	STICK2/8/CW
12"	107	STICK2/12/CW
34"	304	STICK2/34/CW
46"	411	STICK2/46/CW

### LED Constant Voltage Drivers (page 48-52)

Description	Code No.
6 Watt	PS24V/06/S
30 Watt Daisy Driver	PS24V/30/S/D
75 Watt Daisy Driver	PS24V/75/S/D
96 Watt Daisy Driver	PS24V/96/DIM/S/D

### Cables and Connectors

Description	Code No.
Power Cord 98"	STICK2/PC/H
Connecting Cable 1"	STICK2/CC1/H
Connecting Cable 12"	STICK2/CC12/H
Connecting Cable 39"	STICK2/CC39/H
Power Cable Extension 39"	KB12LEDCC39/H
Power Cable Extension 98"	KB12LEDCC98/H
Terminal Block	PS24V/TB
	PS24V/TB/DC

### Optional Accessories (pages 54-55)

Description	Code No.
Dimmer	STICKPSDIM/S
Dimmer Controller	DIMCONTROL/S
Distributor Cable	STICKDIM/YCABLE
Remote Control Dimmer	RCPSDIM
Magnetic Mounting Clips	STICK2/MC/MAGNET
45 Degree Mounting Clips	STICK2/MC/45
Mounting Clip Set	STICK2/MC/SET
Cover Profile	STICK2/CP/39
Rocker Switch	PS24V/SWITCH