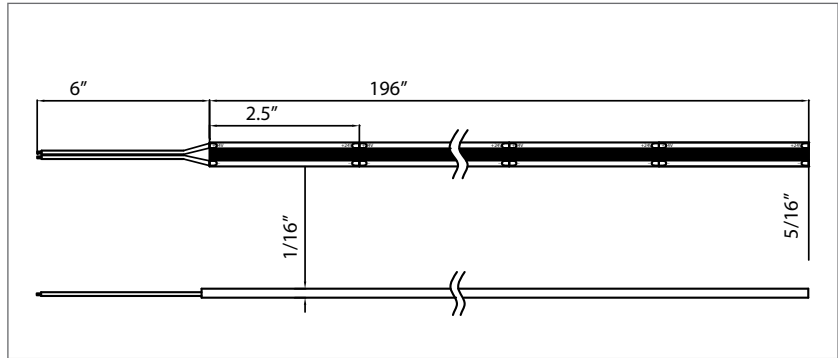


TapeEven-LED



Chip on Board technology: Allows for smooth even light, without a lens.

When your application calls for a flexible, linear LED with even light dissipation, TapeEven-LED is the answer. Chip on Board technology allows for immediate and remarkable diffusion, without the expense of an additional lens.

Product-Features

- Self-adhering, flexible LED strip
- Stocked in 196" (5m) rolls
- Can be special ordered in pre-cut lengths with soldered power cord
- Can be ordered pre-assembled with extrusion and frosted lens
- Available in 3000 K and 4000 K
- Available in 2700 K and 6500 K by special order
- 50,000 hours useable life
- Excellent CRI > 90
- To be used with 24 Vdc Constant Voltage Driver
- IP20 rated
- Cut Length = 2.5"
- PCB Width = 5/16"
- 3.44 W/ft

