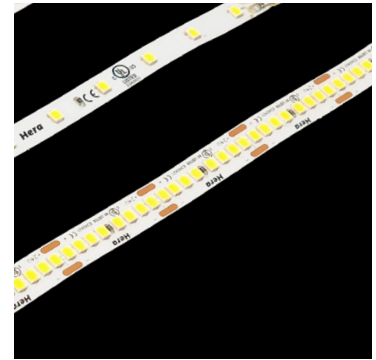
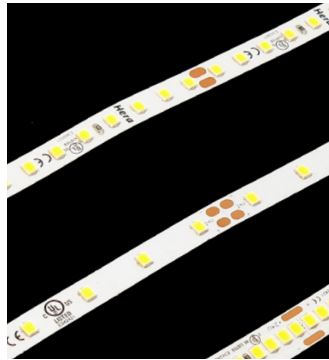


# TapeUltra-LED

NEW



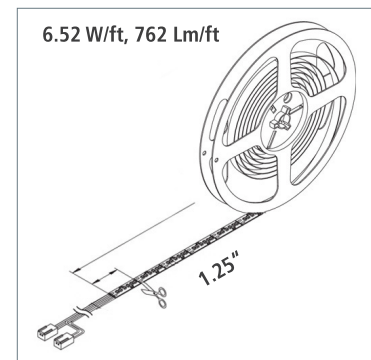
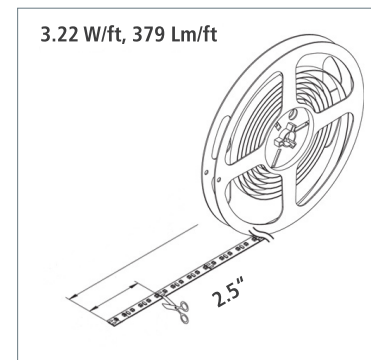
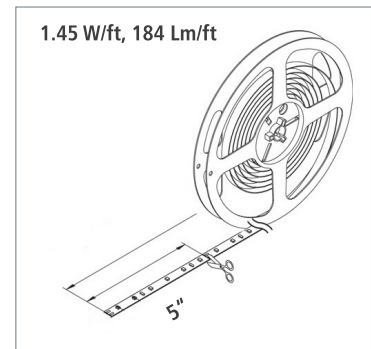
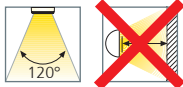
## THE NEXT GENERATION OF TAPE-LED

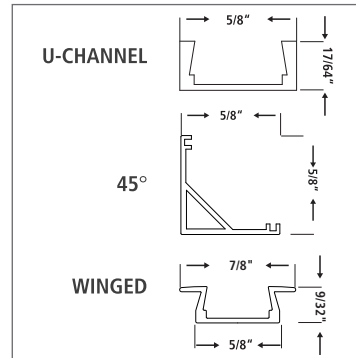
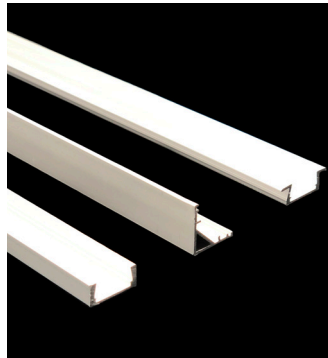
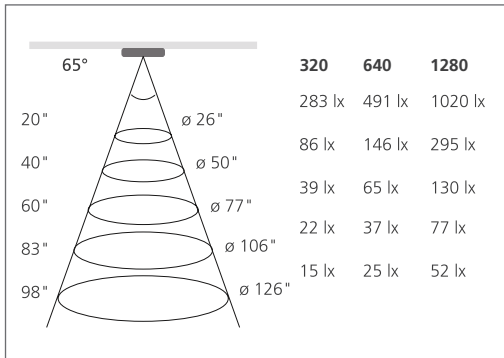
**ULTRA HIGH OUTPUT - Up to 762 lm/ft**  
**ULTRA HIGH EFFICACY - Up to 126 lm/W**  
**ULTRA LOW PRICE**

The New TapeUltra-LED is a grand leap in quality, light output and efficacy. Optimal for projects with unique design and budget requirements. TapeUltra-LED is designed to be flexible, most affordable and to raise the bar in quality.

## Product-Features

- Self-adhering, flexible LED strip
- Stocked in 196" (5m) rolls
- Can be special ordered in pre-cut lengths with soldered power cord
- Can be ordered pre-assembled with extrusion and frosted lens
- Available in three densities:
  - 320 - 125 lm/W
  - 640 - 125 lm/W
  - 1280 - 126 lm/W
- Stocked in 3000 K, 4000 K, and 6500 K
- Available in additional color temperatures, by special order
- 50,000 hours useable life
- Finish: white tape with exposed LEDs
- Excellent CRI > 90
- To be used with 24 Vdc Constant Voltage Driver





## What you'll need to buy

### Tape-LED Options (196" Roll)

Description	W/Ft	Light Output	Code No. 3000 K	Code No. 4000 K
320	1.45 W	184 Lm/ft.	TAPE/U3/196/3000	TAPE/U3/196/4000
640	3.22 W	379 Lm/ft.	TAPE/U6/196/3000	TAPE/U6/196/4000
1280	6.52 W	762 Lm/ft.	TAPE/U12/196/3000	TAPE/U12/196/4000

### Cables and Connectors

Description	Code No.
79" Power Cord	TAPE/B/PC79/N8
Connecting Cable 2"	TAPE/B/CC2/N8
Connecting Cable 6"	TAPE/B/CC6/N8
Connecting Cable 12"	TAPE/B/CC12/N8
Power Cord Extension 39"	KB12LEDCC39/H
Power Cord Extension 98"	KB12LEDCC98/H
Direct Connector	TAPE/B/DC/N8
Terminal Block	PS24V/TB

### Lighting Kit

All Kits Include	Extrusion Options
1 x Roll of TapeUltra-LED	U-Channel
4 x 50" Extrusions	45°
4 x 50" Lenses	Winged
1 x Power Cord w/ Quick Connect	

### LED Constant Voltage Drivers

Description	Code No.
6 Watt	PS24V/06/S
30 Watt Daisy Driver	PS24V/30/S/D
75 Watt Daisy Driver	PS24V/75/S/D
96 Watt Daisy Driver	PS24V/96/DIM/S/D