

Big6/2-LED



Product Description

Recessed Swivel LED

Big6/2-LED is a recessed, swivel LED spotlight with high output. Big6/2-LED is specially developed for applications where high output directional light is needed.

Product Features

- Available color temperatures:
 - 3000 K
 - 6000 K
 - Additional color temperatures (special order)
- Attached 79" connecting cable with a plug-in connector
- Omni-directional swivel
- Reduced glare factor
- Dimmable with available accessories
- Stainless Steel or White finish available
- Recess depth 3"
- To be used with 350 mA Constant Current Driver
- 50,000 hours usable life
- Warm White CRI >90, Cool White CRI >72
- Efficacy: 100 lm/W
- Energy-efficient: uses only 7.2 W





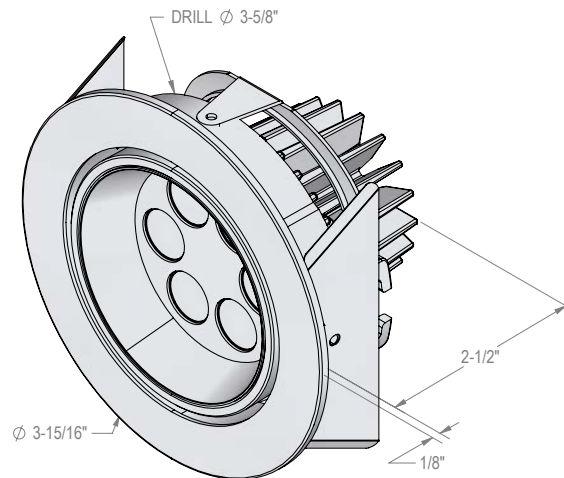
Available Options

Necessary Accessories on Page 67

MODEL	DIAMETER	POWER	LIGHT OUTPUT	EFFICACY	CRI	FINISH	PART NO. (3000 K)	PART NO. (6000 K)
Big6/2-LED	3 15/16"	7.2 W	714 Lm	100 lm/W	>90/72	Stainless Steel	BIG6/2/SS/WW	BIG6/2/SS/CW
Big6/2-LED	3 15/16"	7.2 W	714 Lm	100 lm/W	>90/72	White	BIG6/2/WH/WW	BIG6/2/WH/CW

Compatible Drivers on Page 64

Dimensions



Low Voltage Drivers

Constant Voltage Drivers

24 Vdc Drivers



Daisy Driver, 30W
(Full Specs on Page #94)



Daisy Driver, 75W
(Full Specs on Page #95)



Daisy Driver, 96W
(Full Specs on Page #96)



Driver, 6W
(Full Specs on Page #98)



Driver, 30W
(Full Specs on Page #99)



Driver, 75W
(Full Specs on Page #100)



Driver, 96W
(Full Specs on Page #101)

Constant Current Drivers

LED Drivers



LED Driver, 10W
(Full Specs on Page #104)



LED Driver, 18W Dimmable
(Full Specs on Page #105)

Compatibility

Constant Voltage Compatible LEDs

SPOT

SR45-LED

FR68-LED

R55-LED

ER-LED

Constant Current Compatible LEDs

SPOT

SR45-LED

SR68-LED

Big6/2-LED

HO-LED

Eye-LED

Spot-LED Accessories

Big6/2-LED

Connecting Cables

DESCRIPTION	LENGTH	PART NO.
350mA Power Cable Extension, Black	36"	LEDCC36
350mA Power Cable Extension, Black	72"	LEDCC72

Optional Accessories

DESCRIPTION	PART NO.
Dimming Controller	DIMCONTROL/S
Y-Cable Adapter	STICKDIM/YCABLE

HO-LED

Connecting Cables

DESCRIPTION	LENGTH	PART NO.
350mA Power Cable Extension, Black	36"	LEDCC36
350mA Power Cable Extension, Black	72"	LEDCC72
350mA Terminal Block, 3 way	98"	TBLED/B

Optional Accessories

DESCRIPTION	PART NO.
Dimming Controller	DIMCONTROL/S
Y-Cable Adapter	STICKDIM/YCABLE