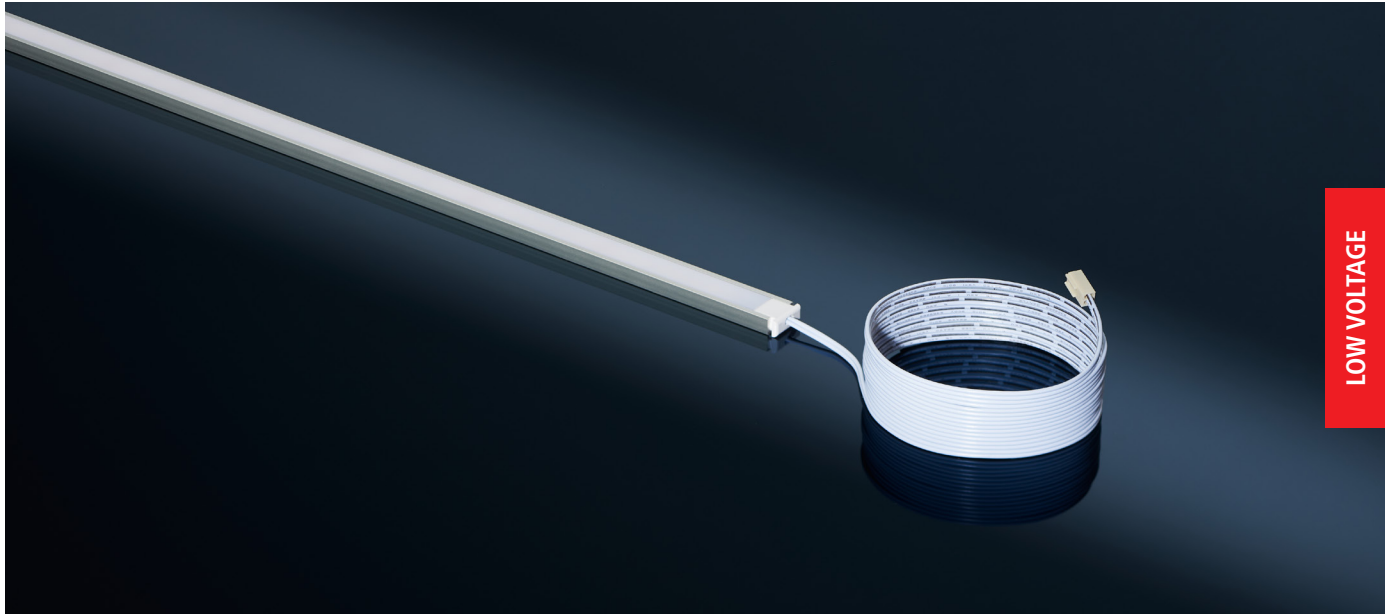


CStick-LED



LOW VOLTAGE

Product Description

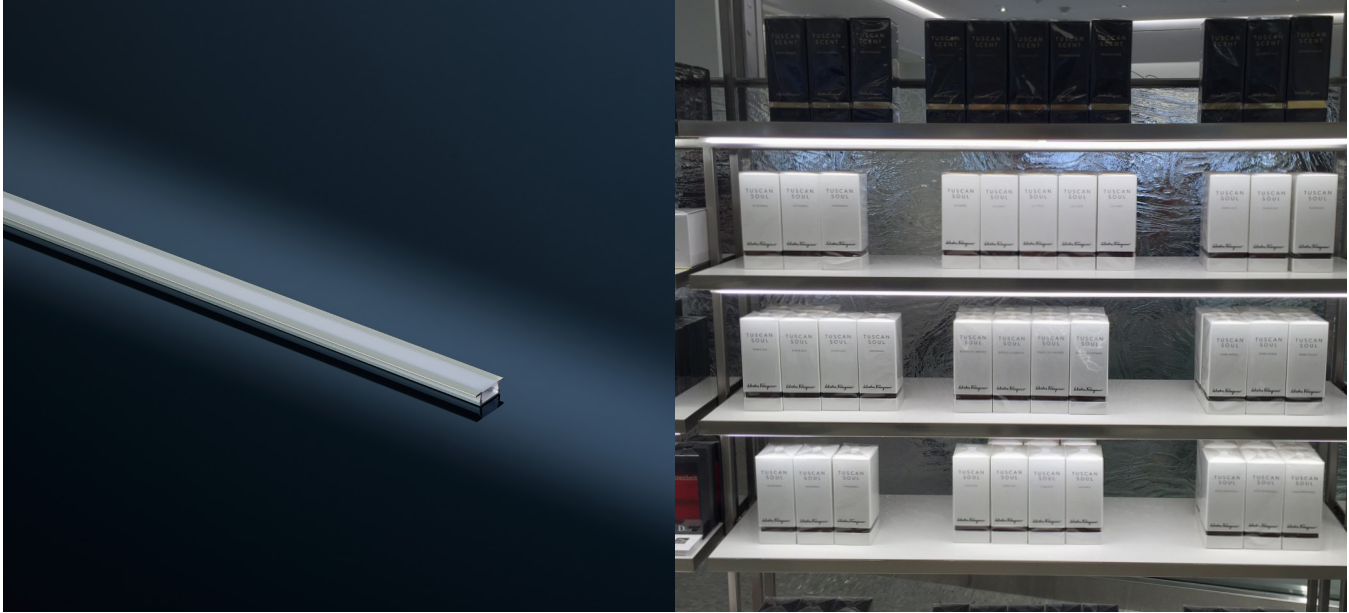
CHOOSE DESIGN – CHOOSE LIGHT OUTPUT – CHOOSE LENGTH

CStick-LED is a fully customizable linear stick at an affordable price. The flexibility of CStick-LED makes it optimal for projects with unique design and budget requirements. CStick-LED caters to your specs, without compromising quality or price.

Product Features

- Available options:
 - 320 – 1.45 W/ft, 127 lm/W
 - 640 – 3.22 W/ft, 118 lm/W
 - 1280 – 6.52 W/ft, 117 lm/W
 - 300 – 1.2 W/ft, 90 lm/W
 - 600 – 2.4 W/ft, 90 lm/W
 - 1200 – 4.8 W/ft, 90 lm/W
- Available color temperatures:
 - 3000 K
 - 4000 K
 - 6500 K
 - Additional color temperatures (special order)
- Three different extrusions available
- Special ordered in pre-cut lengths with soldered power cord
- Comes pre-assembled with extrusion and clear or frosted lens up to 78" in length
- To be used with 24 Vdc Constant Voltage Driver
- EPH certified to NSF/ANSI 2 for use in food zones
- 50,000 hours usable life
- Excellent CRI >90
- Dimmable





Available Options

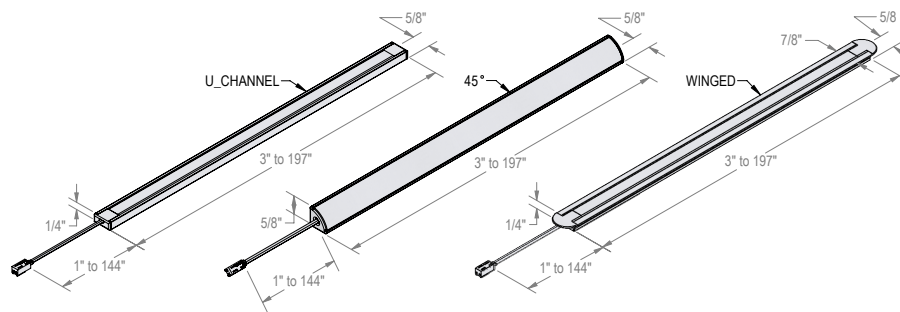
Necessary Accessories on Page 41

MODEL	LENGTH*	POWER	LIGHT OUTPUT	EFFICACY	CRI	MAX CONNECTED	PART NO.**
CStick-LED 320	5" - 72"	1.45 W/ft	184 lm/ft	127 lm/W	>90	32.8' or 48 W	CSU03/**
CStick-LED 640	2.5" - 72"	3.22 W/ft	379 lm/ft	118 lm/W	>90	14.9' or 48 W	CSU06/**
CStick-LED 1280	1.25" - 72"	6.52 W/ft	762 lm/ft	117 lm/W	>90	7.3' or 48 W	CSU12/**
CStick-LED 300	4" - 72"	1.2 W/ft	108 lm/ft	90 lm/W	>90	32.8' or 40 W	CSB03/**
CStick-LED 600	2" - 72"	2.4 W/ft	216 lm/ft	90 lm/W	>90	16.4' or 40 W	CSB06/**
CStick-LED 1200	1" - 72"	4.8 W/ft	432 lm/ft	90 lm/W	>90	9.8' or 48 W	CSB12/**

*Custom length

**Use configurator to identify completed part number

Dimensions



Compatible Drivers on Page 38

Low Voltage Drivers

Constant Voltage Drivers

24 Vdc Drivers



Daisy Driver, 30W
(Full Specs on Page #94)



Daisy Driver, 75W
(Full Specs on Page #95)



Daisy Driver, 96W
(Full Specs on Page #96)



Driver, 6W
(Full Specs on Page #98)

Compatibility

Constant Voltage Compatible LEDs

LINEAR

FreeCut-LED

ThinStick-LED

CStick-LED

TapeEven-LED

Curve-LED

TapeUltra-LED

TapeBasic-LED

Stick3-LED

Stick2-LED

StickVE-LED

Low Voltage Accessories

CStick-LED

Housing Options

ACCESSORIES	PART NO.
"U" channel, 78"	EXT1
45 Degree channel, 78"	EXT4
Winged "U" channel, 78"	EXT6
NSF "U" channel, 78"	EXT7
Narrow "U" channel, 78"	EXT8
Frosted Lens, 78"	TAPE/B/EXTx/LF/78
Clear Lens, 78"	TAPE/B/EXTx/LC/78
Mounting Clips with screws	TAPE/B/EXTx/MC
Magnetic mounting clips	TAPE/B/EXTx/MC/M
Magnetic Tape	custom

Optional Accessories

DESCRIPTION	PART NO.
Dimming Module	STICKPSDIM/S
Dimming Controller	DIMCONTROL/EURO
Y-Cable adapter	STICKDIM/YCABLE
Remote Control Dimmer	RCPSDIM/V2
Rocker Switch	PS24V/SWITCH/RS/H
Rocker Switch, DC plug	PS24V/SWITCH/RS/DC1224/H
Terminal Block	PS24V/TB
Terminal Block, DC plug	PS24V/TB/DC/Y
24 V Occupancy Switch	PS24V/SW/OC
Sensor Switch	IRSWITCH/H
Sensor Switch, Dimmable	IRSWITCH/H/D
Power cord locking clip	CLIP/24V/CCPC

TapeEven-LED

Power Cords

FINISH	LENGTH	PART NO.
White	3"*	TAPE/B/PC3/ST
White	12"	TAPE/B/PC12/ST
White	36"	TAPE/B/PC36/ST
White	79"	TAPE/B/PC79/ST
White	144"	TAPE/B/PC144/ST
Black	3"*	TAPE/B/PC3/ST/BL
Black	12"	TAPE/B/PC12/ST/BL
Black	36"	TAPE/B/PC36/ST/BL
Black	79"	TAPE/B/PC79/ST/BL
Black	144"	TAPE/B/PC144/ST/BL

Connecting Cables

FINISH	LENGTH	PART NO.
White	3"*	TAPE/B/CC03/ST
White	6"	TAPE/B/CC06/ST
White	12"	TAPE/B/CC12/ST

Optional Accessories

ACCESSORIES	PART NO.
Dimming Module	STICKPSDIM/S
Dimming Controller	DIMCONTROL/EURO
Y-Cable adapter	STICKDIM/YCABLE
Remote Control Dimmer	RCPSDIM/V2
Rocker Switch	PS24V/SWITCH/RS/H
Rocker Switch, DC plug	PS24V/SWITCH/RS/DC1224/H
Terminal Block	PS24V/TB
Terminal Block, DC plug	PS24V/TB/DC/Y
24 V Occupancy Switch	PS24V/SW/OC
Sensor Switch	IRSWITCH/H
Sensor Switch, Dimmable	IRSWITCH/H/D
Power cord locking clip	CLIP/24V/CCPC