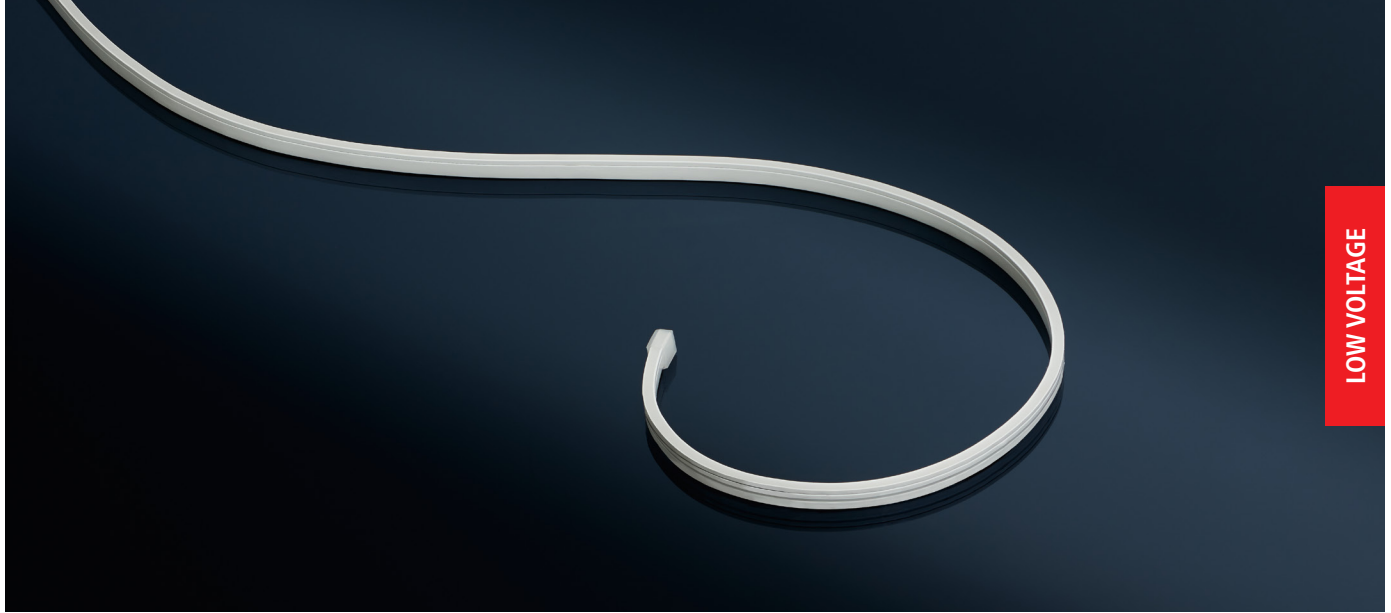


Curve-LED



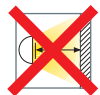
Product Description

Curve-LED- As versatile as your imagination

Curve-LED is a fully encapsulated, flexible LED strip that provides smooth, even illumination in the most unique applications. Planar light for easy installation into 11/64" wide by 5/16" deep milled grooves.

Product Features

- Available color temperatures:
 - 3000 K
 - 4000 K
 - 5000 K
 - Additional color temperatures (special order)
- Available in 196" (5m) rolls
- Optional: Special order pre-cut lengths with soldered power cord
- To be used with 24 Vdc Constant Voltage Driver
- Interconnect up to 48 W in one run
- 50,000 hours usable life
- Excellent CRI >90
- Efficacy >26 lm/W
- IP66 rated
- Cut Length = 2"
- 3.4 W/ft
- Bending radius 1"
- Dimmable





Available Options

Necessary Accessories on Page 42

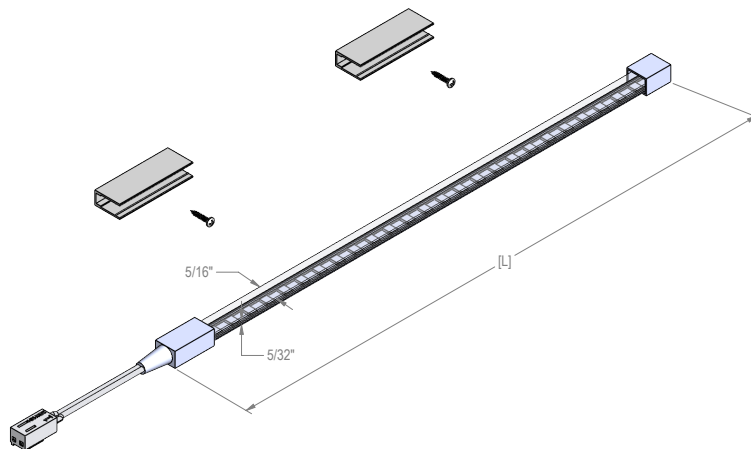
MODEL	LENGTH	POWER	LIGHT OUTPUT	EFFICACY	CRI	PART NO. (3000 K)	PART NO. (5000 K)
Curve-LED	196" (5m) roll	3.4 W/ft	80 lm/ft	26 lm/W	>90	TAPE/CV07/196/3000	TAPE/CV07/196/5000
Curve-LED	2" - 194"*	3.4 W/ft	80 lm/ft	26 lm/W	>90	TAPE/CV07/**/3000	TAPE/CV07/**/5000

*Custom length

**Use configurator to identify completed part number

Compatible Drivers on Page 38

Dimensions



Low Voltage Drivers

Constant Voltage Drivers

24 Vdc Drivers



Daisy Driver, 30W
(Full Specs on Page #94)



Daisy Driver, 75W
(Full Specs on Page #95)



Daisy Driver, 96W
(Full Specs on Page #96)



Driver, 6W
(Full Specs on Page #98)

Compatibility

Constant Voltage Compatible LEDs

LINEAR

FreeCut-LED

ThinStick-LED

CStick-LED

TapeEven-LED

Curve-LED

TapeUltra-LED

TapeBasic-LED

Stick3-LED

Stick2-LED

StickVE-LED

Low Voltage Accessories

Curve-LED

Optional Accessories

DESCRIPTION	PART NO.
Tape Curve Mounting Clips	TAPE/CV07C/MC
Dimming Module	STICKPSDIM/S
Dimming Controller	DIMCONTROL/EURO
Y-Cable adapter	STICKDIM/YCABLE
Remote Control Dimmer	RCPSDIM/V2
Rocker Switch	PS24V/SWITCH/RS/H
Rocker Switch, DC plug	PS24V/SWITCH/RS/DC1224/H
Terminal Block	PS24V/TB
Terminal Block, DC plug	PS24V/TB/DC/Y
24 V Occupancy Switch	PS24V/SW/OC
Sensor Switch	IRSWITCH/H
Sensor Switch, Dimmable	IRSWITCH/H/D
Power cord locking clip	CLIP/24V/CCPC

TapeUltra-LED

Power Cords

FINISH	LENGTH	PART NO.
White	3"	TAPE/B/PC3/ST
White	12"	TAPE/B/PC12/ST
White	36"	TAPE/B/PC36/ST
White	79"	TAPE/B/PC79/ST
White	144"	TAPE/B/PC144/ST
Black	3"	TAPE/B/PC3/ST/BL
Black	12"	TAPE/B/PC12/ST/BL
Black	36"	TAPE/B/PC36/ST/BL
Black	79"	TAPE/B/PC79/ST/BL
Black	144"	TAPE/B/PC144/ST/BL

Connecting Cables

FINISH	LENGTH	PART NO.
White	2", Quick connect	TAPE/B/CC2/N8
White	6", Quick connect	TAPE/B/CC6/N8
White	12", Quick connect	TAPE/B/CC12/N8
White	3", soldered*	TAPE/B/CC03/ST
White	6", soldered	TAPE/B/CC06/ST
White	12", soldered	TAPE/B/CC12/ST

Optional Accessories

ACCESSORIES	PART NO.
Dimming Module	STICKPSDIM/S
Dimming Controller	DIMCONTROL/EURO
Y-Cable adapter	STICKDIM/YCABLE
Remote Control Dimmer	RCPSDIM/V2
Rocker Switch	PS24V/SWITCH/RS/H
Rocker Switch, DC plug	PS24V/SWITCH/RS/DC1224/H
Terminal Block	PS24V/TB
Terminal Block, DC plug	PS24V/TB/DC/Y
24 V Occupancy Switch	PS24V/SW/OC
Sensor Switch	IRSWITCH/H
Sensor Switch, Dimmable	IRSWITCH/H/D
Power cord locking clip	CLIP/24V/CCPC
Cover profile, frosted, 39"	STICK2/CP/39