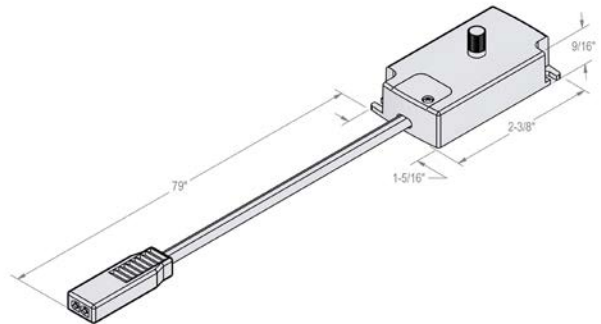


DIM Control



Part No. DIMCONTROL/S

Product Description

Dimmer for LED Light Fixtures

Product Features

- Wired rotary dimming controller
 - 1 – 10 Vdc Sink Control
 - Available separately
 - To be used with StickPSDim
- Can be used with
 - PSLED/DIM Constant Current Driver, 2 x 9 W
 - PS24V/96/DIM/S Constant Voltage Driver, 96 W
 - PS24V/96/DIM/S/D Constant Voltage Daisy Driver, 96 W