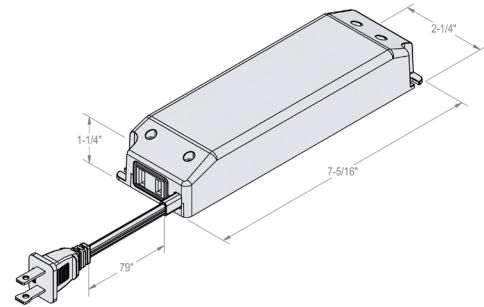


Daisy Driver, 96W



Part No. PS24V/96/Y/D

Product Description

24 Vdc Electronic Daisy Driver

Constant voltage electronic driver for up to 96 W of LEDs. Now with an integrated connector to allow for easy daisy-chaining. Interconnect up to a max of 6 drivers.

Product Features

- Input: 120 VAC, 50/60 HZ, 1.2 A
- Output: 24 Vdc, 4.0 A max. SELV/UL8750 Class 2, CAN/CSA C22.2 No. 250.13-14
- Load: 1 – 96 W, 24 Vdc LED
- Power Factor: $\geq 0.98 \lambda$
- Ambient operating temperature: $-20^{\circ} \text{C} \sim 45^{\circ} \text{C}$
- Max case temperature: 55°C
- Output dimming accessories available
- Open circuit, short circuit, overload, and over-temperature protection
- Auto restart after fault removal
- Standby mode power consumption $\leq 0.5 \text{ W @ 120 VAC}$
- Soft Start for maximum LED life
- 5.5 mm x 2.1 mm barrel jack output socket on
- Additional output cables, splitters, and terminal blocks are available
- 79" plug-in grounded power cord
- 2-Pin convenience outlet in the housing allows connection of additional 2-pin drivers
- Up to 6 drivers maximum interconnected

