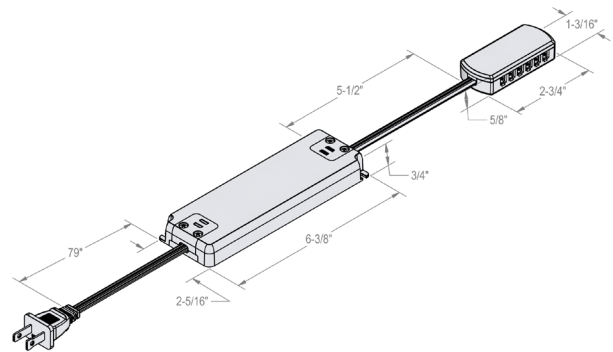


Driver, 30W



Part No. PS24V/30/S

Product Description

Electronic Driver For 24 Vdc LEDs

Constant voltage electronic driver for up to 30 W of LEDs. Hera's power supplies work perfectly in all commercial and residential applications and feature very small dimensions.

Product Features

- 120 V, 60 Hz, 0.55 A
- Output: 24 Vdc, 1.25 A max. SELV/UL8750 Class 2, CAN/CSA C22.2 No. 250.13-14
- Load: 1 – 30 W, 24 Vdc LED
- Power Factor: $\geq 0.9 \lambda$
- Ambient operating temperature: $-20^{\circ} \text{C} \sim 45^{\circ} \text{C}$
- Non-dimmable input, output dimming accessories are available
- Open circuit, short circuit, overload, and over-temperature protection
- Auto restart after fault removal
- Soft start for maximum LED life
- 79" plug-in power cord
- One attached terminal block with up to 12 power cord connections
- Additional terminal blocks are available

Product Details

