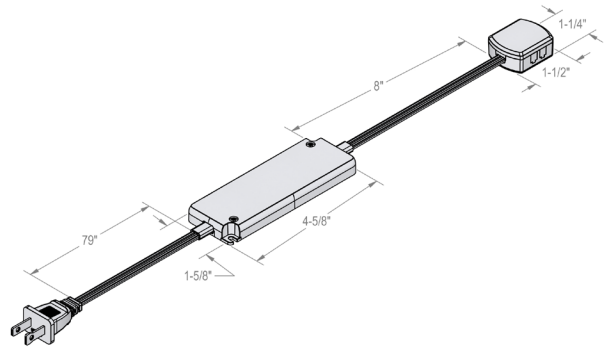


Driver, 6W



Part No. PS24V/06/S

Product Description

Electronic Driver For 24 Vdc LEDs

Constant voltage electronic driver for up to 6 W of LEDs. Hera's power supplies work perfectly in all commercial and residential applications and feature very small dimensions.

Product Features

- 100-120 V, 60 Hz, 0.15 A,
- Output: 24 Vdc, 0.5 A max. SELV/UL8750 Class 2, CAN/CSA C22.2 No. 250.13-14
- Load: 1 – 6 W, 24 Vdc LED
- Power Factor: $\geq 0.6 \lambda$
- Ambient operating temperature: $-20^{\circ} \text{C} \sim 50^{\circ} \text{C}$
- Non-dimmable input, output dimming accessories are available
- Open circuit, short circuit, overload, and over-temperature protection
- Auto restart after fault removal
- Soft start for maximum LED life
- 79" plug-in power cord
- One attached terminal block with up to 4 power cord connections
- Additional terminal blocks are available

