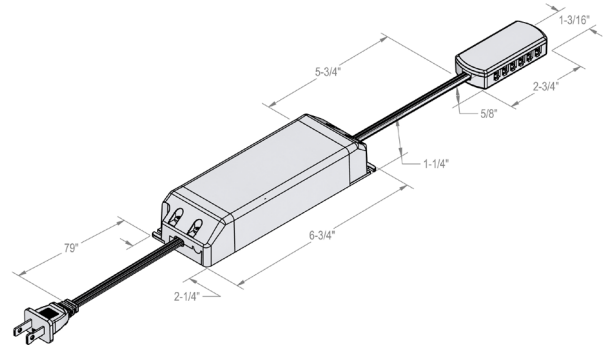


# Driver, 75W



Part No. PS24V/75/S

## Product Description

### Electronic Driver For 24 Vdc LEDs

Constant voltage electronic driver for up to 75 W of LEDs. Hera's power supplies work perfectly in all commercial and residential applications and feature very small dimensions.

## Product Features

- 100-240 V, 50/60 Hz, 1 A
- Output: 24 Vdc, 3.125 A max. SELV/UL8750 Class 2, CAN/CSA C22.2 No. 250.13-14
- Load: 6 – 75 W, 24 Vdc LED
- Power Factor:  $\geq 0.9 \lambda$
- Ambient operating temperature:  $-20^{\circ} \text{C} \sim 45^{\circ} \text{C}$
- Non-dimmable input, output dimming accessories are available
- Open circuit, short circuit, overload, and over-temperature protection
- Auto restart after fault removal
- Soft start for maximum LED life
- 79" plug-in power cord
- One attached terminal block with up to 12 power cord connections
- Additional terminal blocks are available

## Product Details

