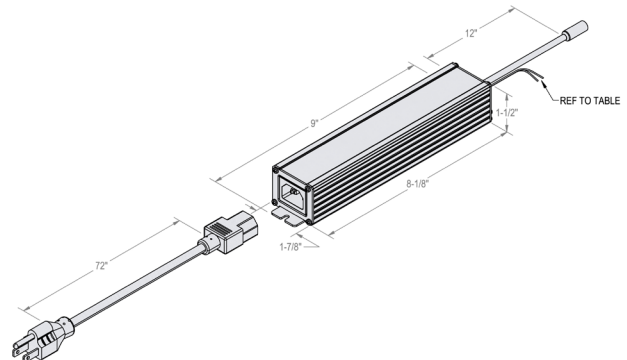


Driver, 96W



Wire Color	Function	Length	Comment
Violet	1-10Vdc Dimming (+)	5-1/2"	Wire stripped and tinned
Gray	1-10Vdc Dimming (-)	5-1/2"	Wire stripped and tinned

Part No. PS24V/96/DIM/S

Product Description

Electronic Driver For 24 Vdc LEDs

Constant voltage electronic driver for up to 96 W of LEDs. Hera's power supplies work perfectly in all commercial and residential applications and feature very small dimensions.

Product Features

- 100-250 V, 50/60 Hz, 1.3 A
- Output: 24 Vdc, 4.0 A max. SELV/UL8750 Class 2, CAN/CSA C22.2 No. 250.13-14
- Load: 1 – 96 W, 24 Vdc LED
- Power Factor: $\geq 0.9 \lambda$
- Ambient operating temperature: $-20^{\circ} \text{C} \sim 45^{\circ} \text{C}$
- Max case temperature: 55°C
- Built-in dimming mode: 0 – 10 Vdc compatible
- Dimming range: 0 – 100%
- Open circuit, short circuit, overload, and over-temperature protection
- Auto restart after fault removal
- Standby mode power consumption $\leq 0.5 \text{ W} @ 120 \text{ VAC}$
- Soft Start for maximum LED life
- 5.5 mm x 2.1 mm barrel jack output socket on 12" cord
- Additional output cables, splitters, and terminal blocks are available
- 72" Detachable power cord
- Universal Input Voltage 120~250 Vac
- Can be used in dry and damp locations
- Additional terminal blocks are available

Product Details

