

ER-LED



Product Description

Quality LED Spotlight at an Affordable Price

ER-LED is the most economical, high-quality, surface-mounted LED spotlight. ER-LED is perfect for kitchen cabinets, closets, bathrooms, displays, cabinets, and furniture.

Product Features

- Available color temperatures:
 - 3000 K
 - 4100 K
 - Additional color temperatures (special order)
- Attached 98" connecting cable with a plug-in connector
- Dimmable with available accessories
- Stainless Steel finish
- Approved for use in closet applications
- Compatible with Hera 24 V LED switching accessories
- To be used with 24 Vdc Constant Voltage Driver
- 30,000 hours usable life
- Efficacy: 55 lm/W
- Energy-efficient: uses only 1.2 W
- Excellent CRI >90
- Surface mount only





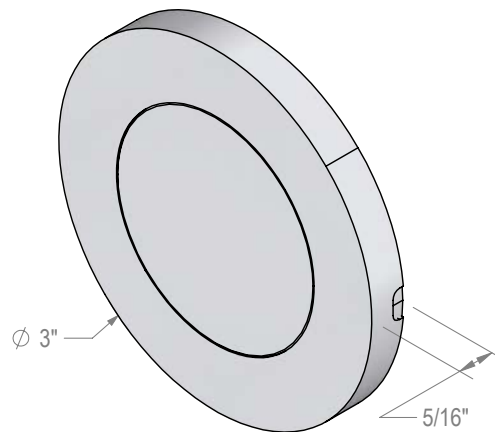
Available Options

Necessary Accessories on Page 69

MODEL	DIAMETER	POWER	LIGHT OUTPUT	EFFICACY	CRI	FINISH	PART NO. (3000 K)	PART NO. (4100 K)
ER-LED	3"	1.2 W	66 Lm	55 lm/W	>90	Stainless Steel	ERLEDSS/WW	ERLEDSS/CW
ER-LED	3"	1.2 W	66 Lm	55 lm/W	>90	Black	ERLEDBL/WW	N/A

Compatible Drivers on Page 64

Dimensions



Low Voltage Drivers

Constant Voltage Drivers

24 Vdc Drivers



Daisy Driver, 30W
(Full Specs on Page #94)



Daisy Driver, 75W
(Full Specs on Page #95)



Daisy Driver, 96W
(Full Specs on Page #96)



Driver, 6W
(Full Specs on Page #98)



Driver, 30W
(Full Specs on Page #99)



Driver, 75W
(Full Specs on Page #100)



Driver, 96W
(Full Specs on Page #101)

Constant Current Drivers

LED Drivers



LED Driver, 10W
(Full Specs on Page #104)



LED Driver, 18W Dimmable
(Full Specs on Page #105)

Compatibility

Constant Voltage Compatible LEDs

SPOT

SR45-LED

FR68-LED

R55-LED

ER-LED

Constant Current Compatible LEDs

SPOT

SR45-LED

SR68-LED

Big6/2-LED

HO-LED

Eye-LED

Non Swivel

ER-LED

Connecting Cables

DESCRIPTION	LENGTH	PART NO.
Power Cable Extension, White	39"	KB12LEDCC39/H
Power Cable Extension, White	84"	KB12LEDCC84/H
Power Cable Extension, White	98"	KB12LEDCC98/H
Power Cable Extension, Black	39"	KB12LEDCC39/BL/H
Power Cable Extension, Black	39"	KB12LEDCC98/BL/H
Power Cable Extension, Black	39"	KB12LEDCC120/BL/H
Terminal Block	39"	PS24V/TB
Terminal Block, DC plug	39"	PS24V/TB/DC/S
Terminal Block, DC, Black	39"	PS24V/TB/DC/BL/S
Power Cord locking clip		CLIP/24V/CCPC

Optional Accessories

DESCRIPTION	PART NO.
Dimming Module	STICKPSDIM/S
Dimming Controller	DIMCONTROL/S
Y-Cable Adapter	STICKDIM/YCABLE
Remote Control Dimmer	RCPSDIM/V2
Rocker Switch	PS24V/SWITCH
Rocker Switch, DC plug	PS24V/SWITCH/DC
24 V Occupancy Switch	PS24V/SW/OC
Sensor Switch	IRSWITCH/H
Sensor Switch, Dimmable	IRSWITCH/H/D

EYE-LED

Connecting Cables

DESCRIPTION	LENGTH	PART NO.
350mA Power Cable Extension, Black	36"	LEDCC36
350mA Power Cable Extension, Black	72"	LEDCC72
350mA Terminal Block, 3 way	98"	TBLED/B

Optional Accessories

DESCRIPTION	PART NO.
Dimming Controller	DIMCONTROL/S
Y-Cable Adapter	STICKDIM/YCABLE