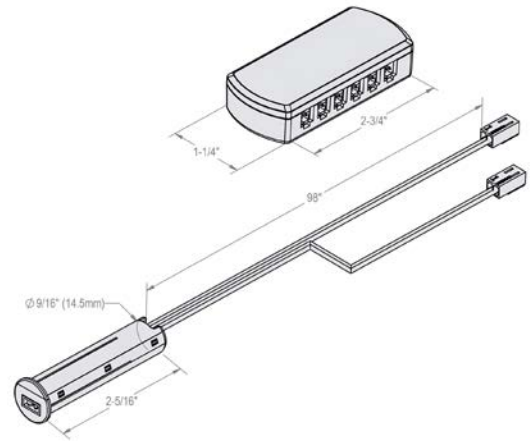


# IR Switch



Part No. IRSWITCH/H

## Product Description

### Infrared Switch For LED Light Fixtures

This multi-function, motion-activated switch will allow two modes of operation. One mode of operation functions as a door contact switch to allow interior cabinet lighting. The second mode will function as a motion sensor to allow touch-free operation.

## Product Features

- Dual function IR switch for control of 24 Vdc LEDs
  - Function 1 – (default) Door contact switch mode
  - Function 2 – Sensor switch mode with dimming function
- Connects to the output of PS24V driver
- Detection range from 2" to 6"
- Can supply up to 30 W of LEDs
- Surface mountable with included tape
- Recessed mountable in 9/16" drill hole
- Class 2 switch, for use in millwork