

Stick2-LED



LOW VOLTAGE

Product Description

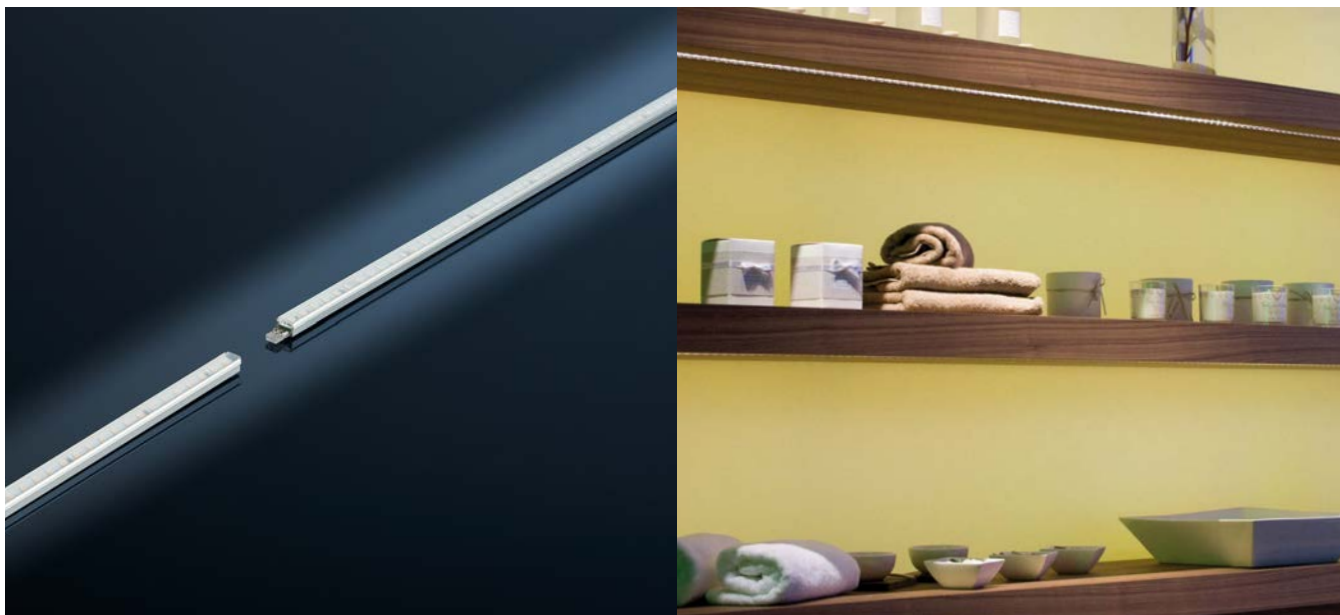
Miniature Linear LED Light with Integrated Connecting System

Stick2-LED is an ultra-compact linear LED with integrated connecting system. Stick2-LED features a high light output with an excellent CRI. Stick2-LED is UL EPH listed (NSF) for use in food applications.

Product Features

- Available sizes:
 - 8" (1.6 W)
 - 12" (2.4 W)
 - 34" (7.2 W)
 - 46" (9.7 W)
- Available color temperatures:
 - 3000 K
 - 4100 K
 - Additional color temperatures (special order)
- Aluminum and plexiglass housing
- Extremely small dimensions: width 3/8", height 5/16"
- Interconnect up to 20 W in one run
- Individual runs, including cables not to exceed 16' 1/5"
- Can be recessed (flush with board) or surface-mounted
- Extremely high, even light output
- Magnetic mounting clips are available
- 45 degree mounting clips are available
- Dimmable with optional accessories
- Approved for use in closet applications
- To be used with 24 Vdc Constant Voltage Driver
- 50,000 hours usable life
- Excellent CRI >80
- Efficacy >40 lm/W
- EPH certified to NSF/ANSI 2 for use in food zones





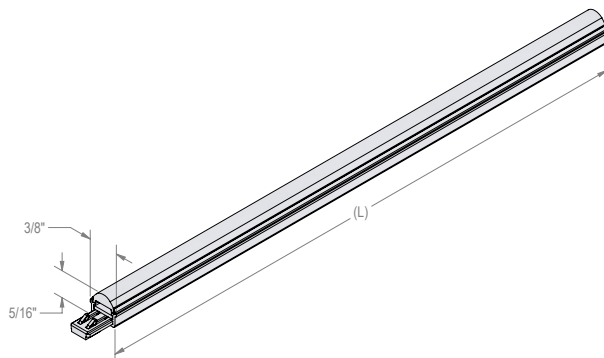
Available Options

Necessary Accessories on Page 42

MODEL	LENGTH	POWER	LIGHT OUTPUT	EFFICACY	CRI	PART NO. (3000 K)	PART NO. (4000 K)
Stick2-LED	8"	1.6 W	70 lm	40 lm/W	>80	STICK2/8/WW	STICK2/8/CW
Stick2-LED	12"	2.4 W	107 lm	43 lm/W	>80	STICK2/12/WW	STICK2/12/CW
Stick2-LED	34"	7.2 W	304 lm	42 lm/W	>80	STICK2/34/WW	STICK2/34/CW
Stick2-LED	46"	9.7 W	411 lm	42 lm/W	>80	STICK2/46/WW	STICK2/46/CW

Compatible Drivers on Page 36

Dimensions



Low Voltage Drivers

Constant Voltage Drivers

24 Vdc Drivers



Daisy Driver, 30W
(Full Specs on Page #94)



Daisy Driver, 75W
(Full Specs on Page #95)



Daisy Driver, 96W
(Full Specs on Page #96)



Driver, 6W
(Full Specs on Page #98)



Driver, 30W
(Full Specs on Page #99)



Driver, 75W
(Full Specs on Page #100)



Driver, 96W
(Full Specs on Page #101)

Compatibility

Constant Voltage Compatible LEDs

LINEAR

ThinStick-LED

CStick-LED

TapeEven-LED

Curve-LED

TapeUltra-LED

TapeBasic-LED

Stick3-LED

Stick2-LED

StickVE-LED

Low Voltage Accessories

Stick3-LED

Power Cords

FINISH	LENGTH	PART NO.
White	12"	STICK3/PC/12/H
White	59"	STICK3/PC/H
Black	59"	STICK3/PC/59/BL/H
White	20", for SPS/2	SPS/2/SHP/20/STICK3PC/H

Connecting Cables

FINISH	LENGTH	PART NO.
White	2"	STICK3/CC2/H
White	12"	STICK3/CC12/H
White	39"	STICK3/CC39/H
Black	12"	STICK3/CC12/BL/H

Optional Accessories

ACCESSORIES	PART NO.
End Cap cover for NSF	STICK3/ENDCAP
Cover Profile, frosted, 39"	STICK2/CP/39
Mounting Clips w/screws	STICK3/MC/SET/H
Mounting Clips w/screws, 45 deg.	STICK3/MC/45/SET/H
Magnet mounting clips	STICK3/MC/MAGNET/H
Dimming Module	STICKPSDIM/S
Dimming Controller	DIMCONTROL/S
Y-Cable Adapter	STICKDIM/YCABLE
Remote Control Dimmer	RCPSDIM/V2
Rocker Switch	PS24V/SWITCH
Rocker Switch, DC plug	PS24V/SWITCH/DC
Terminal Block	PS24V/TB
Terminal Block, DC plug	PS24V/TB/DC/S
Terminal Block, DC, Black	PS24V/TB/DC/BL/S
24 V Occupancy Switch	PS24V/SW/OC
Sensor Switch	IRSWITCH/H
Sensor Switch, Dimmable	IRSWITCH/H/D
Power Cord locking clip	CLIP/24V/CCPC

Stick2-LED

Power Cords

FINISH	LENGTH	PART NO.
White	98"	STICK2/PC/H
White	12"	SPS/STICK2PC/12
White	17"	SPS/STICK2PC/17

Connecting Cables

FINISH	LENGTH	PART NO.
White	1"	STICK2/CC1/H
White	12"	STICK2/CC12/H
White	39"	STICK2/CC39/H

Optional Accessories

ACCESSORIES	PART NO.
End Cap cover for NSF	STICK2/ENDCAP
Switch, Inline	STICK2/SW
Cover Profile, frosted, 39"	STICK2/CP/39
Mounting Clips w/screws	STICK2/MC/SET/H
Mounting Clips w/screws, 45 deg.	STICK2/MC/SET/45/H
Magnet mounting clips	STICK2/MC/MAGNET/H
Dimming Module	STICKPSDIM/S
Dimming Controller	DIMCONTROL/S
Y-Cable Adapter	STICKDIM/YCABLE
Remote Control Dimmer	RCPSDIM/V2
Rocker Switch	PS24V/SWITCH
Rocker Switch, DC plug	PS24V/SWITCH/DC
Terminal Block	PS24V/TB
Terminal Block, DC plug	PS24V/TB/DC/S
Terminal Block, DC, Black	PS24V/TB/DC/BL/S
24 V Occupancy Switch	PS24V/SW/OC
Sensor Switch	IRSWITCH/H
Sensor Switch, Dimmable	IRSWITCH/H/D
Power Cord locking clip	CLIP/24V/CCPC