

# Stick3-LED



## Product Description

### Miniature Linear LED Light with Smooth, Even Light Output

Stick3-LED is a linear LED with a convex, frosted lens that provides smooth and even illumination. Stick3-LED has a small footprint with high-quality light output. It can be surface or recessed mounted into cabinets, furniture, and displays.

## Product Features

- Available sizes:
  - 8" (2.5 W)
  - 12" (4 W)
  - 24" (7.5 W)
  - 34" (11.5 W)
  - 46" (15 W)
- Available color temperatures:
  - 3000 K
  - 4000 K
  - Additional color temperatures (special order)
- Linear LED with frosted lens
- Extremely small dimensions: width 1/2", height 1/2"
- Interconnect up to 11.8' in one run
- Individual runs, including cables not to exceed 16'<sup>4/5'</sup>
- Can be recessed (flush with board) or surface-mounted
- Extremely high, even light output
- Magnetic mounting clips are available
- 45 degree mounting clips are available
- To be used with 24 Vdc Constant Voltage Driver
- 50,000 hours usable life
- Excellent CRI >93
- Efficacy >90 lm/W
- EPH certified to NSF/ANSI 2 for use in food zones





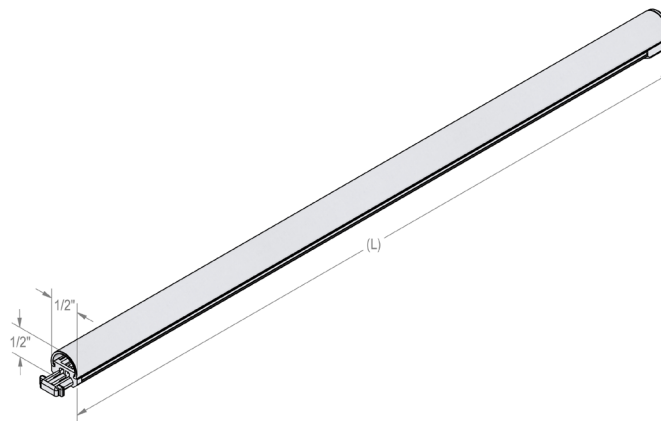
Available Options

Necessary Accessories on Page 44

MODEL	LENGTH	POWER	LIGHT OUTPUT	EFFICACY	CRI	PART NO. (3000 K)	PART NO. (4000 K)
Stick3-LED 8"	7 7/8"	2.5 W	237 lm	95 lm/W	>94	STICK3/8/WW	STICK3/8/CW
Stick3-LED 12"	11 13/16"	4 W	377 lm	94 lm/W	>94	STICK3/12/WW	STICK3/12/CW
Stick3-LED 24"	22 7/16"	7.5 W	671 lm	92 lm/W	>94	STICK3/24/WW	STICK3/24/CW
Stick3-LED 34"	34 1/4"	11.5 W	1104 lm	93 lm/W	>94	STICK3/34/WW	STICK3/34/CW
Stick3-LED 46"	44 7/8"	15 W	1395 lm	93 lm/W	>94	STICK3/46/WW	STICK3/46/CW

Dimensions

Compatible Drivers on Page 38



# Low Voltage Drivers

## Constant Voltage Drivers

### 24 Vdc Drivers



**Daisy Driver, 30W**  
(Full Specs on Page #94)



**Daisy Driver, 75W**  
(Full Specs on Page #95)



**Daisy Driver, 96W**  
(Full Specs on Page #96)



**Driver, 6W**  
(Full Specs on Page #98)

# Compatibility

## Constant Voltage Compatible LEDs

### LINEAR

---

FreeCut-LED

ThinStick-LED

CStick-LED

TapeEven-LED

Curve-LED

TapeUltra-LED

TapeBasic-LED

Stick3-LED

Stick2-LED

StickVE-LED

# Low Voltage Accessories

## Stick3-LED

### Power Cords

FINISH	LENGTH	PART NO.
White	12"	STICK3/PC/12/H
White	59"	STICK3/PC/H
Black	59"	STICK3/PC/59/BL/H
White	20", for SPS/2	SPS/2/SHP/20/STICK3PC/H

### Connecting Cables

FINISH	LENGTH	PART NO.
White	2"	STICK3/CC2/H
White	12"	STICK3/CC12/H
White	39"	STICK3/CC39/H
Black	12"	STICK3/CC12/BL/H

### Optional Accessories

ACCESSORIES	PART NO.
End cap cover for NSF	STICK3/ENDCAP
Cover profile, frosted, 39"	STICK2/CP/39
Mounting clips w/screws	STICK3/MC/SET/H
Mounting clips w/screws, 45 deg.	STICK3/MC/45/SET/H
Magnet mounting clips	STICK3/MC/MAGNET/H
Dimming Module	STICKPSDIM/S
Dimming Controller	DIMCONTROL/EURO
Y-Cable adapter	STICKDIM/YCABLE
Remote Control Dimmer	RCPSDIM/V2
Rocker Switch	PS24V/SWITCH/RS/H
Rocker Switch, DC plug	PS24V/SWITCH/RS/DC1224/H
Terminal Block	PS24V/TB
Terminal Block, DC plug	PS24V/TB/DC/Y
24 V Occupancy Switch	PS24V/SW/OC
Sensor Switch	IRSWITCH/H
Sensor Switch, Dimmable	IRSWITCH/H/D
Power cord locking clip	CLIP/24V/CCPC

## Stick2-LED

### Power Cords

FINISH	LENGTH	PART NO.
White	98"	STICK2/PC/H
White	12"	SPS/STICK2PC/12
White	17"	SPS/STICK2PC/17

### Connecting Cables

FINISH	LENGTH	PART NO.
White	1"	STICK2/CC1/H
White	12"	STICK2/CC12/H
White	39"	STICK2/CC39/H

### Optional Accessories

ACCESSORIES	PART NO.
End cap cover for NSF	STICK2/ENDCAP
Switch, inline	STICK2/SW
Cover profile, frosted, 39"	STICK2/CP/39
Mounting clips w/screws	STICK2/MC/SET/H
Mounting clips w/screws, 45 deg.	STICK2/MC/SET/45/H
Magnet mounting clips	STICK2/MC/MAGNET/H
Dimming Module	STICKPSDIM/S
Dimming Controller	DIMCONTROL/EURO
Y-Cable adapter	STICKDIM/YCABLE
Remote Control Dimmer	RCPSDIM/V2
Rocker Switch	PS24V/SWITCH/RS/H
Rocker Switch, DC plug	PS24V/SWITCH/RS/DC1224/H
Terminal Block	PS24V/TB
Terminal Block, DC plug	PS24V/TB/DC/Y
24 V Occupancy Switch	PS24V/SW/OC
Sensor Switch	IRSWITCH/H
Sensor Switch, Dimmable	IRSWITCH/H/D
Power cord locking clip	CLIP/24V/CCPC