

StickVE-LED



Product Description

Value Engineered Miniature Linear LED Light With Integrated Connecting System

StickVE-LED is our value-engineered version of Hera's Stick2-LED. These ultra-compact LED strips have high light output with no dark spots when directly connected. With StickVE, one enjoys the benefits of LED technology, lower energy consumption, and a long lifetime, all at a lower price. The StickVE-LED is also UL EPH (NSF) approved for use in food applications.

Product Features

- Available sizes:
 - 8" (2.5 W)
 - 12" (3 W)
 - 32" (7.5 W)
 - 44" (10.5 W)
- Available color temperatures:
 - 3000 K
 - 4100 K
 - Additional color temperatures (special order)
- Aluminum and plexiglass housing
- Extremely small dimensions: width 3/8", height 5/16"
- Interconnect up to 60 W in one run
- Individual runs, including cables not to exceed 28 1/5"
- Light fixture can be recessed (flush with board) or surface-mounted
- Extremely high, even light output
- Integrated magnets for installation to metal shelves
- Dimmable with optional accessories
- To be used with 24 Vdc Constant Voltage Driver
- 50,000 hours usable life
- Good CRI >80
- Efficacy >50 lm/W
- EPH certified to NSF/ANSI 2 for use in food zones





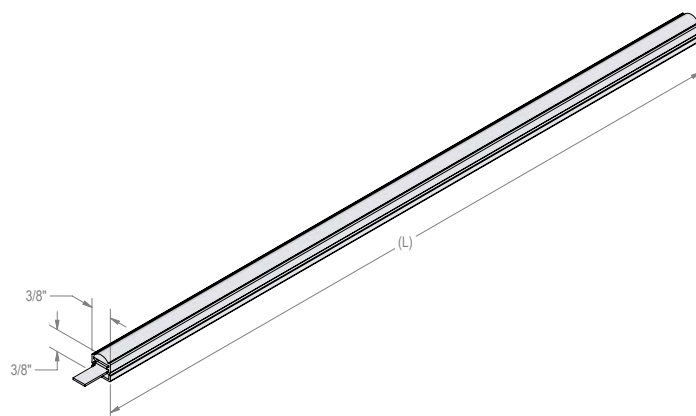
Available Options

Necessary Accessories on Page 43

MODEL	LENGTH	POWER	LIGHT OUTPUT	EFFICACY	CRI	PART NO. (3000 K)	PART NO. (4100 K)
StickVE-LED	8"	2.5 W	107 lm	57 lm/W	>80	STICKVE/8/WW/M	STICKVE/8/CW/M
StickVE-LED	12"	3 W	175 lm	57 lm/W	>80	STICKVE/12/WW/M	STICKVE/12/CW/M
StickVE-LED	32"	7.5 W	497 lm	57 lm/W	>80	STICKVE/32/WW/M	STICKVE/32/CW/M
StickVE-LED	44"	10.5 W	672 lm	57 lm/W	>80	STICKVE/44/WW/M	STICKVE/44/CW/M

Compatible Drivers on Page 36

Dimensions



Low Voltage Drivers

Constant Voltage Drivers

24 Vdc Drivers



Daisy Driver, 30W
(Full Specs on Page #94)



Daisy Driver, 75W
(Full Specs on Page #95)



Daisy Driver, 96W
(Full Specs on Page #96)



Driver, 6W
(Full Specs on Page #98)



Driver, 30W
(Full Specs on Page #99)



Driver, 75W
(Full Specs on Page #100)



Driver, 96W
(Full Specs on Page #101)

Compatibility

Constant Voltage Compatible LEDs

LINEAR

ThinStick-LED

CStick-LED

TapeEven-LED

Curve-LED

TapeUltra-LED

TapeBasic-LED

Stick3-LED

Stick2-LED

StickVE-LED

Low Voltage Accessories

StickVE-LED

Power Cords

FINISH	LENGTH	PART NO.
White	8"	STICKVE/PC/8
White	17"	STICKVE/PC/17
White	23"	STICKVE/PC/23
White	98"	STICKVE/PC
Black	98"	STICKVE/PC/98/BL
White	39" extension	KB12LEDCC39/H
White	84" extension	KB12LEDCC84/H

Connecting Cables

FINISH	LENGTH	PART NO.
White	4"	STICKVE/CC4
White	12"	STICKVE/CC12
White	17"	STICKVE/CC17
White	21"	STICKVE/CC21
White	23"	STICKVE/CC23
White	39"	STICKVE/CC39

Optional Accessories

ACCESSORIES	PART NO.
Mounting Clips w/screws	STICKVE/MC/SET/H
Mounting Clips w/screws, 45 deg.	STICKVE/MC/SET/45/H
Dimming Module	STICKPSDIM/S
Dimming Controller	DIMCONTROL/S
Y-Cable Adapter	STICKDIM/YCABLE
Remote Control Dimmer	RCPSDIM/V2
Rocker Switch	PS24V/SWITCH
Rocker Switch, DC plug	PS24V/SWITCH/DC
Terminal Block	PS24V/TB
Terminal Block, DC plug	PS24V/TB/DC/S
Terminal Block, DC, Black	PS24V/TB/DC/BL/S
24 V Occupancy Switch	PS24V/SW/OC
Sensor Switch	IRSWITCH/H
Sensor Switch, Dimmable	IRSWITCH/H/D
Power Cord locking clip	CLIP/24V/CCPC
Cover Profile, frosted, 39"	STICK2/CP/39