

ThinStick-LED

NEW

LINEAR

LOW VOLTAGE



Product Description

The Next Evolution of the Stick-LED Family

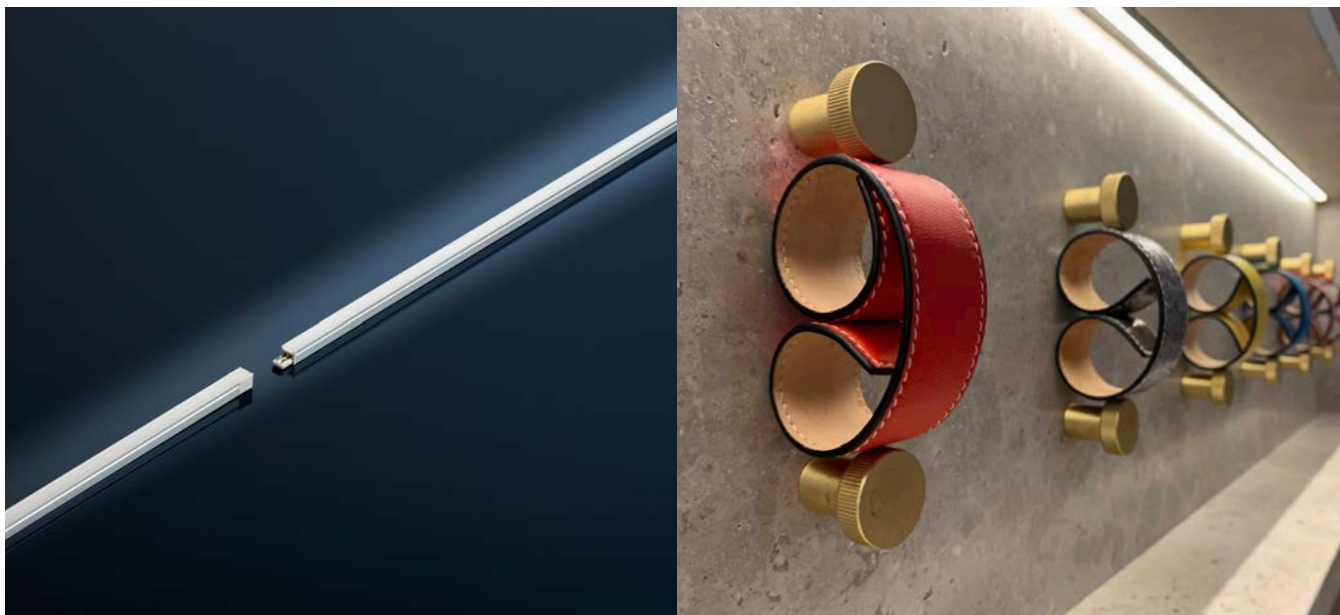
ThinStick-LED is a miniature, modular, linear stick, forged from our flagship best-selling product Stick-LED. It delivers high output illumination without high energy costs, all in a slim, sleek aluminum extrusion that blends away. ThinStick-LED is the perfect solution when you want to shine the light on your products above all else.

Product Features

- Available sizes:
 - 8" (2 W)
 - 12" (3.4 W)
 - 24" (7 W)
 - 34" (9.6 W)
 - 46" (13 W)
- Available color temperatures:
 - 3000 K
 - 3500 K
 - 4000 K
 - Additional color temperatures (special order)
- Built-in magnetic mounting
- Extremely small dimensions: 5/16" H x 5/16" W
- Interconnect up to 39 W in one run
- Individual runs, including cables not to exceed 18'
- Linear LED with frosted lens
- Can be recessed (flush with board) or surface-mounted
- Extremely high, even light output
- Comes with screw-in mounting clips
- To be used with 24 Vdc Constant Voltage Driver
- EPH certified to NSF/ANSI 2 for use in food zones
- 50,000 hours usable life
- Excellent CRI >94
- Efficacy >93-95 lm/W

Product Details





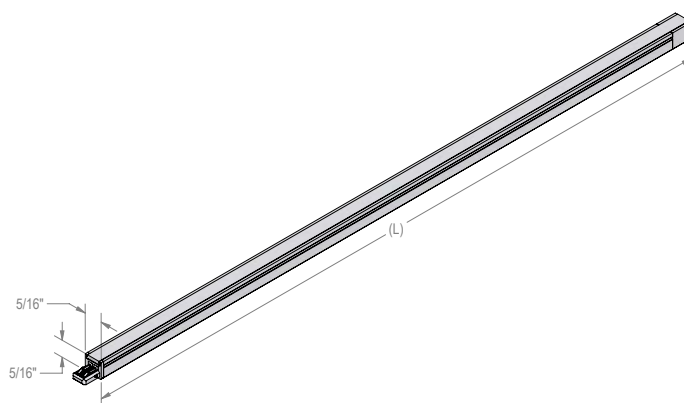
Available Options

Necessary Accessories on Page 38

| MODEL | LENGTH | POWER | LIGHT OUTPUT | EFFICACY | CRI | PART NO. (3000 K) | PART NO. (3500 K) | PART NO. (4000 K) |
|---------------|-----------|-------|--------------|----------|-----|-------------------|-------------------|-------------------|
| ThinStick-LED | 7 7/8" | 2 W | 190 Lm | 95 lm/W | >94 | TS/8/3000/M/N | TS/8/3500/M/N | TS/8/4000/M/N |
| ThinStick-LED | 11 13/16" | 3.4 W | 320 Lm | 94 lm/W | >94 | TS/12/3000/M/N | TS/12/3500/M/N | TS/12/4000/M/N |
| ThinStick-LED | 22 7/16" | 7 W | 650 Lm | 93 lm/W | >94 | TS/24/3000/M/N | TS/24/3500/M/N | TS/24/4000/M/N |
| ThinStick-LED | 34 1/4" | 9.6 W | 910 Lm | 95 lm/W | >94 | TS/34/3000/M/N | TS/34/3500/M/N | TS/34/4000/M/N |
| ThinStick-LED | 44 7/8" | 13 W | 1220 Lm | 94 lm/W | >94 | TS/46/3000/M/N | TS/46/3500/M/N | TS/46/4000/M/N |

Compatible Drivers on Page 36

Dimensions



Low Voltage Drivers

Constant Voltage Drivers

24 Vdc Drivers



Daisy Driver, 30W
(Full Specs on Page #94)



Daisy Driver, 75W
(Full Specs on Page #95)



Daisy Driver, 96W
(Full Specs on Page #96)



Driver, 6W
(Full Specs on Page #98)



Driver, 30W
(Full Specs on Page #99)



Driver, 75W
(Full Specs on Page #100)



Driver, 96W
(Full Specs on Page #101)

Compatibility

Constant Voltage Compatible LEDs

- LINEAR**
-
- ThinStick-LED
 - CStick-LED
 - TapeEven-LED
 - Curve-LED
 - TapeUltra-LED
 - TapeBasic-LED
 - Stick3-LED
 - Stick2-LED
 - StickVE-LED

Low Voltage Accessories

ThinStick-LED

Power Cords

| FINISH | LENGTH | PART NO. |
|--------|--------|---------------|
| White | 79" | TS/PC/79/WH/N |

Connecting Cables

| FINISH | LENGTH | PART NO. |
|--------|--------|---------------|
| White | 2" | TS/CC/2/WH/N |
| White | 12" | TS/CC/12/WH/N |
| White | 39" | TS/CC/39/WH/N |
| Black | 2" | TS/CC/2/BL/N |
| Black | 12" | TS/CC/12/BL/N |

Optional Accessories

| DESCRIPTION | PART NO. |
|---------------------------|------------------|
| Rocker Switch | PS24V/SWITCH |
| Rocker Switch, DC plug | PS24V/SWITCH/DC |
| Terminal Block | PS24V/TB |
| Terminal Block, DC plug | PS24V/TB/DC/S |
| Terminal Block, DC, Black | PS24V/TB/DC/BL/S |
| 24 V Occupancy Switch | PS24V/SW/OC |
| Sensor Switch | IRSWITCH/H |
| Power Cord locking clip | CLIP/24V/CCPC |

CStick-LED

Housing Options

| ACCESSORIES | PART NO. |
|----------------------------|-------------------|
| "U" channel, 78" | EXT1 |
| 45 Degree channel, 78" | EXT4 |
| Winged "U" channel, 78" | EXT6 |
| NSF "U" channel, 78" | EXT7 |
| Narrow "U" channel, 78" | EXT8 |
| Frosted Lens, 78" | TAPE/B/EXTx/LF/78 |
| Clear Lens, 78" | TAPE/B/EXTx/LC/78 |
| Mounting Clips with screws | TAPE/B/EXTx/MC |
| Magnetic mounting clips | TAPE/B/EXTx/MC/M |
| Magnetic Tape | custom |

Optional Accessories

| DESCRIPTION | PART NO. |
|---------------------------|------------------|
| Dimming Module | STICKPSDIM/S |
| Dimming Controller | DIMCONTROL/S |
| Y-Cable Adapter | STICKDIM/YCABLE |
| Remote Control Dimmer | RCPSDIM/V2 |
| Rocker Switch | PS24V/SWITCH |
| Rocker Switch, DC plug | PS24V/SWITCH/DC |
| Terminal Block | PS24V/TB |
| Terminal Block, DC plug | PS24V/TB/DC/S |
| Terminal Block, DC, Black | PS24V/TB/DC/BL/S |
| 24 V Occupancy Switch | PS24V/SW/OC |
| Sensor Switch | IRSWITCH/H |
| Sensor Switch, Dimmable | IRSWITCH/H/D |
| Power Cord locking clip | CLIP/24V/CCPC |