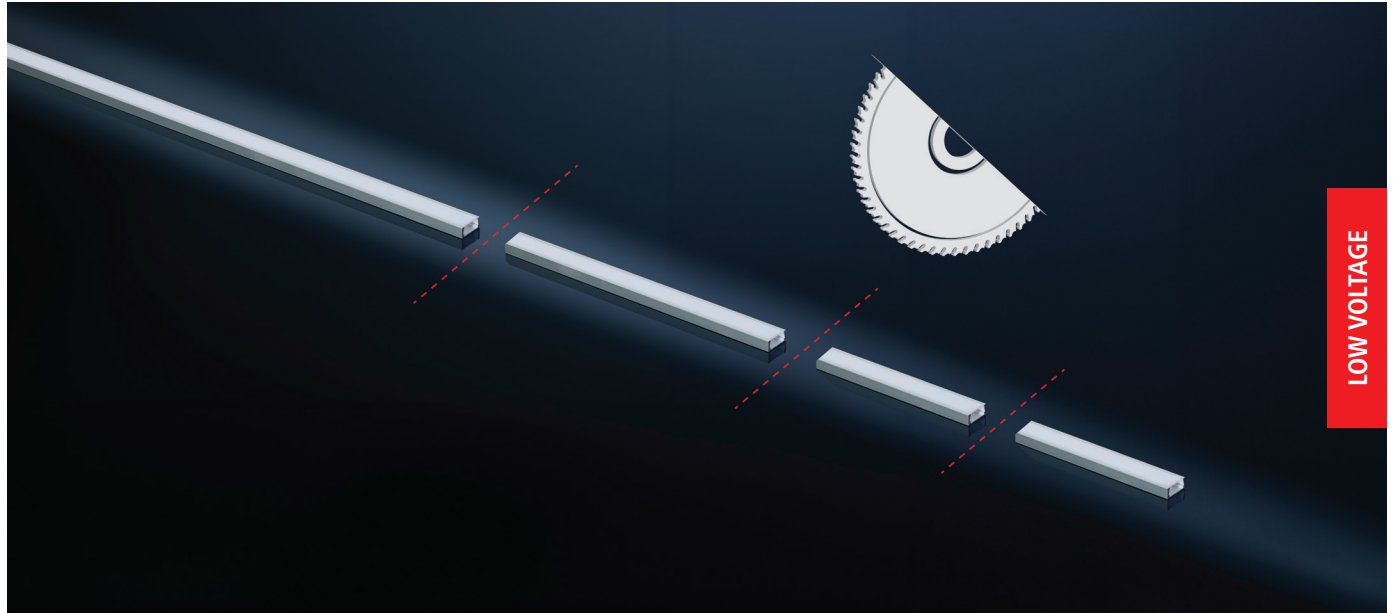


FreeCut-LED

NEW



LOW VOLTAGE

Product Description

Any Length, Anywhere, Anytime

FreeCut-LED allows you to cut to the exact length, setting new records for turnaround time, with custom sizes ready in minutes. Now, you can have off-the-shelf inventory available to address the ever demanding timelines of your clients. A true game changer for exacting projects, prototypes and your bottom line.

Product Features

- Available sizes:
 - 34" (6.8 W)
 - 46" (9.4 W)
 - Cut-to-Length: 2.5 W/ft, 103 lm/W
- Available color temperatures:
 - 3000 K
 - 4000 K
 - Additional color temperatures (special order)
- Linear LED with frosted lens and u-channel extrusion
- Stocked in pre-cut lengths
- Custom sizes on demand and ready in minutes for the fastest turnaround time
- Can be recessed (flush with board) or surface-mounted
- High, even light output- no diode dots
- Available screw-in or magnetic mounting clips
- Available 45° mounting clips
- To be used with 24 Vdc Constant Voltage Driver
- Excellent CRI >90

Product Details





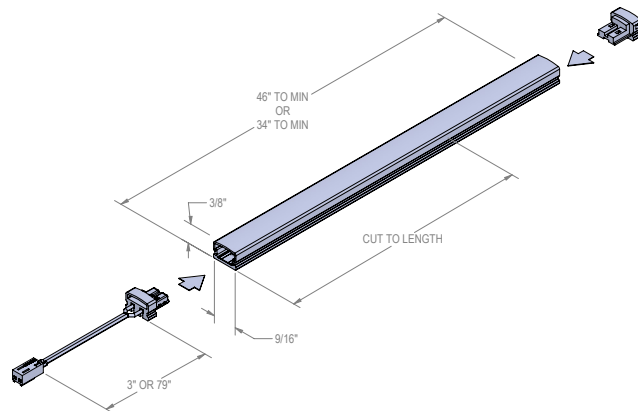
Available Options

Necessary Accessories on Page 40

MODEL	LENGTH	POWER	LIGHT OUTPUT	EFFICACY	CRI	MAX CONNECTED	PART NO. (3000 K)	PART NO. (4000 K)
FreeCut-LED 34"	34"	6.8 W	700 Lm	103 lm/W	>90	5 pcs or 16' mixed sizes	FC/34/3000	FC/34/4000
FreeCut-LED 46"	46"	9.4 W	968 Lm	103 lm/W	>90	4 pcs or 16' mixed sizes	FC/46/3000	FC/46/4000

Compatible Drivers on Page 38

Dimensions



Low Voltage Drivers

Constant Voltage Drivers

24 Vdc Drivers



Daisy Driver, 30W
(Full Specs on Page #94)



Daisy Driver, 75W
(Full Specs on Page #95)



Daisy Driver, 96W
(Full Specs on Page #96)



Driver, 6W
(Full Specs on Page #98)

Compatibility

Constant Voltage Compatible LEDs

LINEAR

FreeCut-LED

ThinStick-LED

CStick-LED

TapeEven-LED

Curve-LED

TapeUltra-LED

TapeBasic-LED

Stick3-LED

Stick2-LED

StickVE-LED

Low Voltage Accessories

FreeCut-LED

Power Cords

FINISH	LENGTH	PART NO.
White	3"	FC/PC/3/WH
White	79"	FC/PC/79/WH

Connecting Cables

FINISH	LENGTH	PART NO.
White	3"	FC/CC/3/WH
White	6"	FC/CC/6/WH
White	12"	FC/CC/12/WH
White	24"	FC/CC/24/WH

Optional Accessories

DESCRIPTION	PART NO.
Screw-in mounting clips	FC/MC/SET
Magnet mounting clips	FC/MC/M/SET
45 deg screw-in mounting clips	FC/MC/45/SET
45 deg magnet mounting clips	FC/MC/M/45/SET
Housing End Cap	FC/EC

ThinStick-LED

Power Cords

FINISH	LENGTH	PART NO.
White	79"	TS/PC/79/WH/N

Connecting Cables

FINISH	LENGTH	PART NO.
White	2"	TS/CC/2/WH/N
White	12"	TS/CC/12/WH/N
White	39"	TS/CC/39/WH/N
Black	2"	TS/CC/2/BL/N
Black	12"	TS/CC/12/BL/N

Optional Accessories

DESCRIPTION	PART NO.
Dimming Module	STICKPSDIM/S
Dimming Controller	DIMCONTROL/EURO
Y-Cable adapter	STICKDIM/YCABLE
Remote Control Dimmer	RCPSDIM/V2
Rocker Switch	PS24V/SWITCH/RS/H
Rocker Switch, DC plug	PS24V/SWITCH/RS/DC1224/H
Terminal Block	PS24V/TB
Terminal Block, DC plug	PS24V/TB/DC/Y
24 V Occupancy Switch	PS24V/SW/OC
Sensor Switch	IRSWITCH/H
Sensor Switch, Dimmable	IRSWITCH/H/D
Power cord locking clip	CLIP/24V/CCPC